

## Specification Sheet

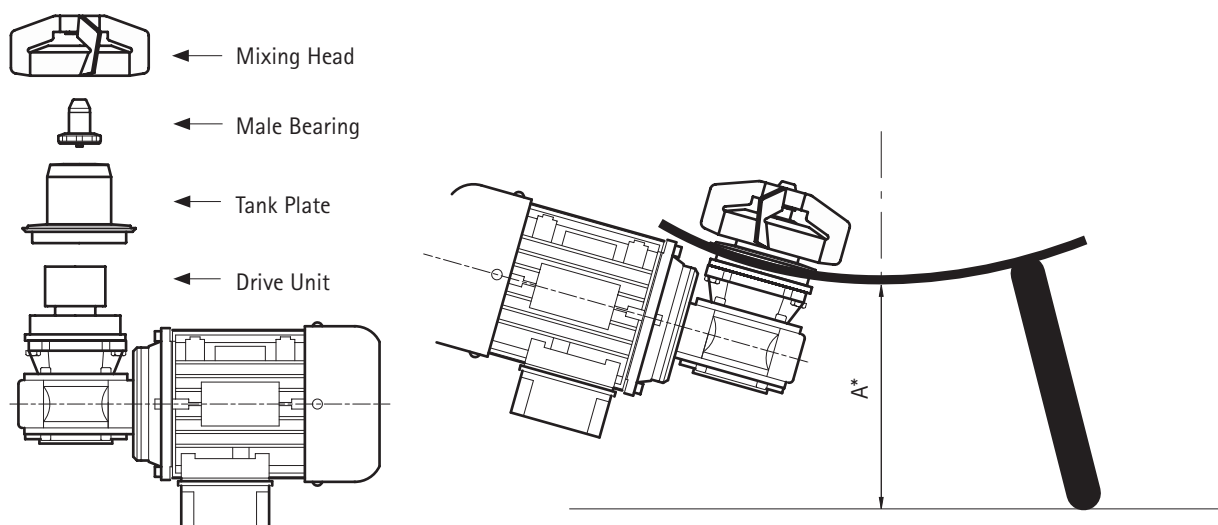
# NovAseptic<sup>®</sup> Mixer, Mixer Assembly, GMP

Catalogue Number:

GMP-GM#-#####

## Product Description

The NovAseptic<sup>®</sup> mixers offer a complete solution for mixing throughout the process line and are designed for a wide variety of mixing applications in the pharmaceutical and biotechnology industries.



## Catalogue No. Structure

<b>GMP</b>	<b>-</b>	<b>#</b>	<b>-</b>	<b>#</b>	<b>-</b>	<b>#</b>	<b>-</b>	<b>#</b>	<b>-</b>	<b>#</b>		
Mixer	Model	Size		Surface Treatment		Shaft Option		Gearbox Ratio		Speed Counter Option		Standard Motor Size
				1 = Manually Polished 2 = Manually Polished and Electro Polished		0 = 0mm standard 2 = 100mm extension		1 = 7.5:1 2 = 10:1 3 = 15:1		1 = Speed Counter Compatible Drive Unit 2 = Drive Unit with Speed Counter		

\*Note: Minimum distance to dismount the Drive Unit

## Nominal Dimensions in mm

GMP Mixer Assembly	Mixing Head	Male Bearing	Drive Unit	A*	Mixer Model
GMP-GM05-1011N	GM05/12	GM05/24	GM05/4A01-6410	282	GMP50
GMP-GM05-1012N	GM05/12	GM05/24	GM05/4B01-6410	282	GMP50
GMP-GM05-1111N	GM05/12	GM05/24	GM05/4A11-6410	325	GMP50
GMP-GM05-1112N	GM05/12	GM05/24	GM05/4B11-6410	325	GMP50
GMP-GM05-2011N	GM05/12EP	GM05/24EP	GM05/4A01-6410	282	GMP50
GMP-GM05-2012N	GM05/12EP	GM05/24EP	GM05/4B01-6410	282	GMP50
GMP-GM05-2111N	GM05/12EP	GM05/24EP	GM05/4A11-6410	325	GMP50
GMP-GM05-2112N	GM05/12EP	GM05/24EP	GM05/4B11-6410	325	GMP50
GMP-GM1-1011N	GM1/12	GM1/24	GM1/4A01-6410	280	GMP100
GMP-GM1-1012N	GM1/12	GM1/24	GM1/4B01-6410	280	GMP100
GMP-GM1-1211N	GM1/12	GM1/24	GM1/4A21-6410	365	GMP100
GMP-GM1-1212N	GM1/12	GM1/24	GM1/4B21-6410	365	GMP100
GMP-GM1-2011N	GM1/12EP	GM1/24EP	GM1/4A01-6410	280	GMP100
GMP-GM1-2012N	GM1/12EP	GM1/24EP	GM1/4B01-6410	280	GMP100
GMP-GM1-2211N	GM1/12EP	GM1/24EP	GM1/4A21-6410	365	GMP100
GMP-GM1-2212N	GM1/12EP	GM1/24EP	GM1/4B21-6410	365	GMP100
GMP-GM5-1011N	GM5/120	GM510/24	GM5/4A01-6420	299	GMP500
GMP-GM5-1012N	GM5/120	GM510/24	GM5/4B01-6420	299	GMP500
GMP-GM5-1211N	GM5/120	GM510/24	GM5/4A21-6420	384	GMP500
GMP-GM5-1212N	GM5/120	GM510/24	GM5/4B21-6420	384	GMP500
GMP-GM5-2011N	GM5/120EP	GM510/24EP	GM5/4A01-6420	299	GMP500
GMP-GM5-2012N	GM5/120EP	GM510/24EP	GM5/4B01-6420	299	GMP500
GMP-GM5-2211N	GM5/120EP	GM510/24EP	GM5/4A21-6420	384	GMP500
GMP-GM5-2212N	GM5/120EP	GM510/24EP	GM5/4B21-6420	384	GMP500
GMP-GM10-1011N	GM10/120	GM510/24	GM10/4A01-6420	311	GMP1000
GMP-GM10-1012N	GM10/120	GM510/24	GM10/4B01-6420	311	GMP1000
GMP-GM10-1211N	GM10/120	GM510/24	GM10/4A21-6420	391	GMP1000
GMP-GM10-1212N	GM10/120	GM510/24	GM10/4B21-6420	391	GMP1000
GMP-GM10-2011N	GM10/120EP	GM510/24EP	GM10/4A01-6420	311	GMP1000
GMP-GM10-2012N	GM10/120EP	GM510/24EP	GM10/4B01-6420	311	GMP1000
GMP-GM10-2211N	GM10/120EP	GM510/24EP	GM10/4A21-6420	391	GMP1000
GMP-GM10-2212N	GM10/120EP	GM510/24EP	GM10/4B21-6420	391	GMP1000
GMP-GM20-1011N	GM20/12	GM20/24	GM20/4A01-6430	332	GMP2000
GMP-GM20-1012N	GM20/12	GM20/24	GM20/4B01-6430	332	GMP2000
GMP-GM20-1211N	GM20/12	GM20/24	GM20/4A21-6430	420	GMP2000
GMP-GM20-1212N	GM20/12	GM20/24	GM20/4B21-6430	420	GMP2000
GMP-GM20-2011N	GM20/12EP	GM20/24EP	GM20/4A01-6430	332	GMP2000
GMP-GM20-2012N	GM20/12EP	GM20/24EP	GM20/4B01-6430	332	GMP2000
GMP-GM20-2211N	GM20/12EP	GM20/24EP	GM20/4A21-6430	420	GMP2000
GMP-GM20-2212N	GM20/12EP	GM20/24EP	GM20/4B21-6430	420	GMP2000
GMP-GM50-1011N	GM50/12	GM50300/24	GM50/4A01-6440	332	GMP5000
GMP-GM50-1012N	GM50/12	GM50300/24	GM50/4B01-6440	332	GMP5000
GMP-GM50-1211N	GM50/12	GM50300/24	GM50/4A21-6440	420	GMP5000
GMP-GM50-1212N	GM50/12	GM50300/24	GM50/4B21-6440	420	GMP5000
GMP-GM50-2011N	GM50/12EP	GM50300/24EP	GM50/4A01-6440	332	GMP5000
GMP-GM50-2012N	GM50/12EP	GM50300/24EP	GM50/4B01-6440	332	GMP5000
GMP-GM50-2211N	GM50/12EP	GM50300/24EP	GM50/4A21-6440	420	GMP5000
GMP-GM50-2212N	GM50/12EP	GM50300/24EP	GM50/4B21-6440	420	GMP5000

\*Note: Minimum distance to dismount the Drive Unit

GMP Mixer Assembly	Mixing Head	Male Bearing	Drive Unit	A*	Mixer Model
GMP-GM100-1011N	GM100/12	GM50300/24	GM100/4A01-6450	396	GMP10000
GMP-GM100-1012N	GM100/12	GM50300/24	GM100/4B01-6450	396	GMP10000
GMP-GM100-1211N	GM100/12	GM50300/24	GM100/4A21-6450	490	GMP10000
GMP-GM100-1212N	GM100/12	GM50300/24	GM100/4B21-6450	490	GMP10000
GMP-GM100-2011N	GM100/12EP	GM50300/24EP	GM100/4A01-6450	396	GMP10000
GMP-GM100-2012N	GM100/12EP	GM50300/24EP	GM100/4B01-6450	396	GMP10000
GMP-GM100-2211N	GM100/12EP	GM50300/24EP	GM100/4A21-6450	490	GMP10000
GMP-GM100-2212N	GM100/12EP	GM50300/24EP	GM100/4B21-6450	490	GMP10000
GMP-GM200-1021N	GM200/12	GM50300/24	GM200/4A01-6460	400	GMP20000
GMP-GM200-1022N	GM200/12	GM50300/24	GM200/4B01-6460	400	GMP20000
GMP-GM200-1221N	GM200/12	GM50300/24	GM200/4A21-6460	495	GMP20000
GMP-GM200-1222N	GM200/12	GM50300/24	GM200/4B21-6460	495	GMP20000
GMP-GM200-2021N	GM200/12EP	GM50300/24EP	GM200/4A01-6460	400	GMP20000
GMP-GM200-2022N	GM200/12EP	GM50300/24EP	GM200/4B01-6460	400	GMP20000
GMP-GM200-2221N	GM200/12EP	GM50300/24EP	GM200/4A21-6460	495	GMP20000
GMP-GM200-2222N	GM200/12EP	GM50300/24EP	GM200/4B21-6460	495	GMP20000
GMP-GM300-1031N	GM300/12	GM50300/24	GM300/4A01-6460	400	GMP30000
GMP-GM300-1032N	GM300/12	GM50300/24	GM300/4B01-6460	400	GMP30000
GMP-GM300-1231N	GM300/12	GM50300/24	GM300/4A21-6460	495	GMP30000
GMP-GM300-1232N	GM300/12	GM50300/24	GM300/4B21-6460	495	GMP30000
GMP-GM300-2031N	GM300/12EP	GM50300/24EP	GM300/4A01-6460	400	GMP30000
GMP-GM300-2032N	GM300/12EP	GM50300/24EP	GM300/4B01-6460	400	GMP30000
GMP-GM300-2231N	GM300/12EP	GM50300/24EP	GM300/4A21-6460	495	GMP30000
GMP-GM300-2232N	GM300/12EP	GM50300/24EP	GM300/4B21-6460	495	GMP30000

\*Note: Minimum distance to dismount the Drive Unit

# Specifications

## Net Weight (approximate)

Mixer Assembly	GMP50	GMP100	GMP500	GMP1000	GMP2000	GMP5000	GMP10000	GMP20000	GMP30000
Weight kg	9	9.5	12	14	21	24.5	37.5	60	65

## Mixer Assembly Parts (included)

	GMP – Catalogue No.	Specification Sheet – Lit. No.
Mixing Head	GM#/12, GM#/12EP, GM#/120 or GM#/120EP	SP1169EN00
Male Bearing	GM#/24 or GM#/24EP	SP1170EN00
Drive Unit	GM#/4#-64#0	SP1004EN00

## Mixer Assembly Parts (not included)

	GMP – Catalogue No.	Specification Sheet – Lit. No.
Tank Plate	GM#/33	SP1033EN00
Control Cabinet	Please contact your local sales representative for additional information.	

## Mixer Accessory Parts (not included)

	GMP – Catalogue No.	Specification Sheet – Lit. No.
Mixing Head Attractor	GT#/AW	SP1178EN00
Multi Tool for Mixing Head & Male Bearing	GT#/25	SP1031EN00
Tightening Tool for Male Bearing	GT#/26	SP1032EN00
Welding Tool Tank Plate Heatsink	G94-#	SP1179EN00
NovAseptic® Gauge 1, for Tank Plate, Outer Drive Head Control	G91-#	SP1199EN00
NovAseptic® Gauge 2, for Tank Plate, Mixing Head Control	G92-#	SP1200EN00
Integrated Speed Counter Kit	GM#/67	SP1144EN00

## Additional Information

Environment Temperature*	0 to 40 °C (32 to 104 °F)
Operating Temperature*	
Operating Speed	Maximum operating speed has to be validated for each process individually, depending on volume, viscosity etc. A variable frequency drive (VFD) must be used with all NovAseptic® mixers.
Specification Sheet	Further information is available on the Specification Sheet of each NovAseptic® Mixer assembly part.
Quality Control	Our Quality Assurance System guarantees the control and traceability at all stages of the manufacturing.
Options	For non-standard NovAseptic® Mixer Options, please contact us for information.

\*Note: The assembled NovAseptic® Mixer may have different design temperature and/or pressure limits. The weakest part in the assembled product sets the final permitted design temperature and pressure limits.



[www.emdmillipore.com](http://www.emdmillipore.com)

## To Place an Order or Receive Technical Assistance

In the U.S. and Canada, call toll-free 1-800-645-5476

For other countries across Europe and the world, please visit [www.millipore.com/offices](http://www.millipore.com/offices)

For Technical Service, please visit [www.millipore.com/techservice](http://www.millipore.com/techservice)