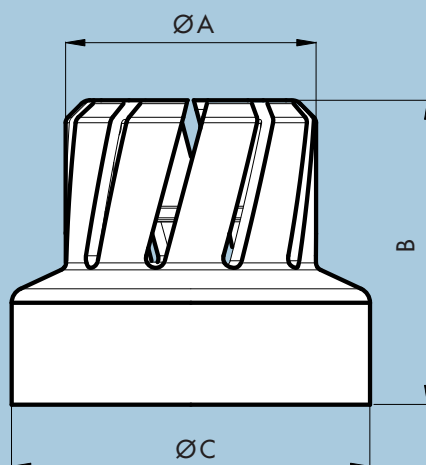


NovAseptic® Mixer Rotor, HS and HSI

Catalogue Number G10-###

Rotor, HS and HSI Configuration



Nominal Dimensions in mm (in.)

G10-###	A	B	C	Compatible Mixer
G10-013	41 (1.61)	59 (2.32)	60 (2.36)	HS T10
G10-009	65 (2.56)	79 (3.11)	93 (3.66)	HS T60
G10-009	65 (2.56)	79 (3.11)	93 (3.66)	HSI T60
G10-010	115 (4.53)	118 (4.65)	145 (5.71)	HS T260

Specifications

Net Weight (approximate)

	HS T10	HS T60	HSI T60	HS T260
	G10-013	G10-009		G10-010
Weight kg (lb)	0.5 (1.1)	1.4 (3.09)		3.4 (7.50)

Material

	Rotor Stainless Steel in Compliance with		Female Bearing Stainless Steel in Compliance with
Material Code	316L	EN 1.4435	Ceramic SiC (SsiC)
Technical Requirements - Rod	ASME® SA-479	EN 10272	-
Technical Requirements - Plate	ASTM® A240	EN 10028-7/ EN 10088-2	-

Surface Roughness: Surface Ra ≤ 0.8µm (31µin)

Surface Treatment: Electropolished

Operating Temperature: 5 to 135 °C (41 to 275 °F)

pH Range: 1-14

Note! The assembled NovAseptic Mixer may have different design temperature and/or pressure limits. The weakest component in the assembled product determines the maximum design temperature and pressure limits.

Labeling: Each Rotor is individually labeled for full traceability according to Millipore QA routines.

Packaging: The Rotor is packaged in a closed box.

Quality Control: Millipore Quality Assurance System guarantees the control and traceability at all stages of the manufacturing.

Options: For non-standard NovAseptic Mixer Options, please contact Millipore for further information.

To Place an Order or Receive Technical Assistance

For additional information call your nearest Millipore office or visit us at www.millipore.com.

In the U.S. and Canada, call toll-free 1-800-MILLIPORE (1-800-645-5476). In the U.S., Canada and Puerto Rico, fax orders to 1-800-MILLIFX (1-800-645-5439).

MILLIPORE

Millipore and NovAseptic are registered trademarks of Millipore Corporation or an affiliated company.

ASME is a registered trademark of the American Society of Mechanical Engineers.

ASTM is a registered trademark of the American Society for Testing and Materials.

Specifications subject to change without notice.

Lit. No. SP1152EN00 Rev. -, 12/2006. Replaces DS-210

© 2006 Millipore Corporation. All rights reserved.