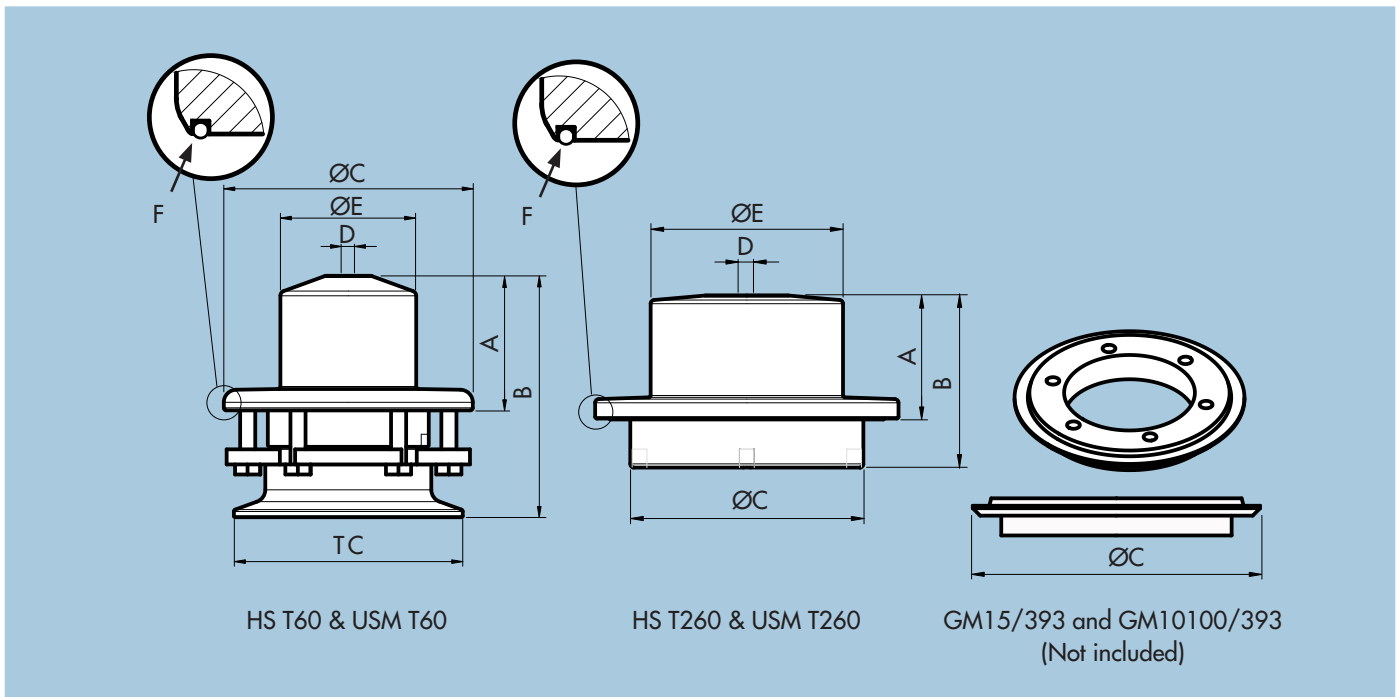


# NovAseptic® Mixer Tank Plate, Flanged, HS and USM

Catalogue Number G30-###

## Tank Plate, Flanged, HS and USM Configuration



**Nominal Dimensions in mm (in.)**

G30-###	A	B	C	D	E	TC	O-Ring F	Compatible Mixer
G30-013	54 (0.13)	96 (3.78)	64 (2.52)	M8	54 (2.13)	91 (3.58)	88.49x3.53 (3.484x0.139)	HS T60
G30-013	54 (0.13)	96 (3.78)	64 (2.52)	M8	54 (2.13)	91 (3.58)	88.49x3.53 (3.484x0.139)	USM T60
G30-014	67 (2.64)	93 (3.66)	126 (4.96)	M12	104 (4.09)	-	148.59x5.34 (5.85x0.210)	HS T260
G30-014	67 (2.64)	93 (3.66)	126 (4.96)	M12	104 (4.09)	-	148.59x5.34 (5.85x0.210)	USM T260

Welding Flange	C	Compatible Mixer
GM15/393	116 (4.57)	HS T60
GM15/393	116 (4.57)	USM T60
GM10100/393	180 (7.09)	HS T260
GM10100/393	180 (7.09)	USM T260

**Specifications**

**Net Weight (approximate)**

Tank Plate	G30-013	G30-014
Weight kg (lb)	1.3 (2.87)	3.3 (7.28)

**Welding Diameter**

	GM15/393	G30-011
Diameter mm (in)	Ø116 (Ø4.57)	Ø180 (Ø7.09)

**Material**

	Base Part Stainless Steel in Compliance with		Welding Flange Stainless Steel in Compliance with		O-Ring
Material Code	316L	EN 1.4435	316L	EN 1.4435	EPDM
Technical Requirements	ASME® SA-479	EN 10272	ASME® SA-479	EN 10272	-

**Specifications**

Surface Roughness:	Surface Ra ≤ 0.5µm (20µin)
Surface Treatment:	Liquid contact surface, manually polished.
Design Temperature:	-80 to 200 °C (-112 to 392 °F)
Design Pressure:	-1 to 10 bar(g) (-14.5 to 145 psi(g))
Note!	The assembled NovAseptic Mixer may have different design temperature and/or pressure limits. The weakest component in the assembled product determines the maximum design temperature and pressure limits.
Labeling:	Each Tank Plate is individually labeled for full traceability and heat No. according to Millipore QA routines.
Packaging:	The Tank Plate is packaged in a closed box.
Quality Control:	Millipore Quality Assurance System guarantees the control and traceability at all stages of the manufacturing.
Options:	For non-standard NovAseptic Mixer Options, please contact Millipore for further information.

**To Place an Order or Receive Technical Assistance**

For additional information call your nearest Millipore office or visit us at [www.millipore.com](http://www.millipore.com).

In the U.S. and Canada, call toll-free 1-800-MILLIPORE (1-800-645-5476). In the U.S., Canada and Puerto Rico, fax orders to 1-800-MILLIFX (1-800-645-5439).

# MILLIPORE

Millipore and NovAseptic are registered trademarks of Millipore Corporation or an affiliated company.

ASME is a registered trademark of the American Society of Mechanical Engineers.

Specifications subject to change without notice.

Lit. No. SP1195EN00 Rev. -, 12/2006. Replaces DS-294

© 2006 Millipore Corporation. All rights reserved.