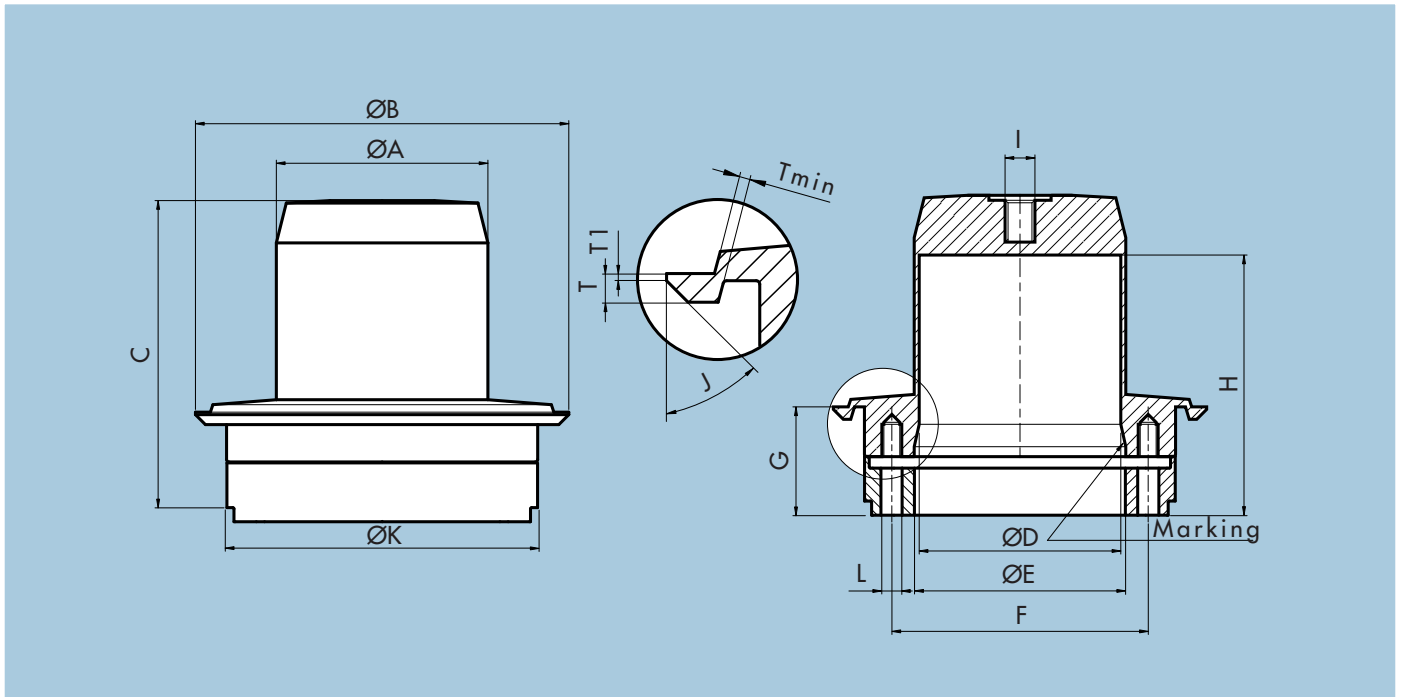


NovAseptic® Mixer Tank Plate, HS T260 and USM T260

Catalogue Number G30-###

Tank Plate, HS T260 and USM T260 Configuration



Nominal Dimensions in mm (in.)

G30-###	A	B	C	D	E	F	G	H	I	J	K	L	T	T1	Tmin	Compatible Mixer
G30-011	104 (4.09)	160 (6.30)	93 (3.66)	100 (3.94)	104 (4.09)	116 (4.57)	33 (1.30)	74 (2.91)	M12	45°	128 (5.04)	M8	6 (0.24)	1.5 (0.06)	4.2 (0.17)	HS T260
G30-011	104 (4.09)	160 (6.30)	93 (3.66)	100 (3.94)	104 (4.09)	116 (4.57)	33 (1.30)	74 (2.91)	M12	45°	128 (5.04)	M8	6 (0.24)	1.5 (0.06)	4.2 (0.17)	USM T260

Specifications

Net Weight (approximate)

Tank Plate	G30-011
Weight kg (lb)	2.5 (5.51)

Welding Diameter

	G30-011
Diameter mm (in)	Ø160 (Ø6.30)

Material

	Bar Stainless Steel in Compliance with	
Material Code	316L	EN 1.4435
Technical Requirements	ASME® SA-479	EN 10272

Specifications

Surface Roughness:	Surface Ra ≤ 0.5µm (20µin)
Surface Treatment:	Liquid contact surface, manually polished.
Design Temperature:	-80 to 200 °C (-112 to 392 °F)
Design Pressure:	-1 to 10 bar(g) (-14.5 to 145 psi(g))
Note!	The assembled NovAseptic Mixer may have different design temperature and/or pressure limits. The weakest component in the assembled product determines the maximum design temperature and pressure limits.
Labeling:	Each Tank Plate is individually labeled for full traceability and heat No. according to Millipore QA routines.
Packaging:	The Tank Plate is packaged in a closed box.
Quality Control:	Millipore Quality Assurance System guarantees the control and traceability at all stages of the manufacturing.
In Compliance With:	The NovAseptic Mixer is classified in Europe, for PED Directive 97/23/EC Category IV and approved by Notified Body.
Requirements:	The Tank Plate is designed to meet requirements for USA, ASME VIII Div 2. Stresses in Tank Plate due to internal pressure have been analysed by FEM.
Options:	For non-standard NovAseptic Mixer Options, please contact Millipore for further information.

To Place an Order or Receive Technical Assistance

For additional information call your nearest Millipore office or visit us at www.millipore.com.

In the U.S. and Canada, call toll-free 1-800-MILLIPORE (1-800-645-5476). In the U.S., Canada and Puerto Rico, fax orders to 1-800-MILLIFX (1-800-645-5439).

MILLIPORE

Millipore and NovAseptic are registered trademarks of Millipore Corporation or an affiliated company.

ASME is a registered trademark of the American Society of Mechanical Engineers.

Specifications subject to change without notice.

Lit. No. SP1191EN00 Rev. -, 12/2006. Replaces DS-290

© 2006 Millipore Corporation. All rights reserved.