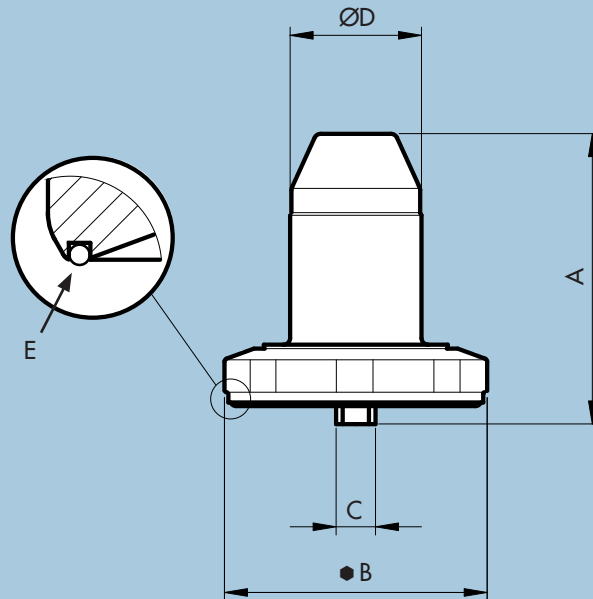


# NovAseptic® Mixer Male Bearing, USM

Catalogue Number G20-###

## Male Bearing, USM Configuration



### Nominal Dimensions in mm (in.)

G20-###	A	● B	C	D	O-Ring E	Compatible Mixer
G20-008	45 (1.77)	39 (1.54)	M8	20 (0.79)	34.65x1.78 (1.364x0.070)	USM T60
G20-006	80 (3.15)	51.5 (2.03)	M12	30 (1.18)	47.35x1.78 (1.864x0.070)	USM T260

## Specifications

## Net Weight (approximate)

	USM T60	USM T260
	G20-008	G20-006
Weight kg (lb)	0.1 (0.22)	0.3 (0.66)

## Material

	Bar Stainless Steel in Compliance with		Male Bearing Silicone Carbide in Compliance with	O-Ring
Material Code	AISI 316L	EN 1.4404	Ceramic SiC (SsiC)	EPDM

Surface Roughness: Surface Ra ≤ 0.5µm (20µin)

Surface Treatment: Manually polished

Operating Temperature: 5 to 135 °C (41 to 275 °F)

pH Range: 1-14

**Note!** The assembled NovAseptic Mixer may have different design temperature and/or pressure limits. The weakest component in the assembled product determines the maximum design temperature and pressure limits.

**Labeling:** Each Male Bearing is individually labeled for full traceability according to Millipore QA routines.

**Packaging:** The Male Bearing is packaged in a closed box.

**Quality Control:** Millipore Quality Assurance System guarantees the control and traceability at all stages of the manufacturing.

**Options:** For non-standard NovAseptic Mixer Options, please contact Millipore for further information.

## To Place an Order or Receive Technical Assistance

For additional information call your nearest Millipore office or visit us at [www.millipore.com](http://www.millipore.com).

In the U.S. and Canada, call toll-free 1-800-MILLIPORE (1-800-645-5476). In the U.S., Canada and Puerto Rico, fax orders to 1-800-MILLIFX (1-800-645-5439).

# MILLIPORE

Millipore and NovAseptic are registered trademarks of Millipore Corporation or an affiliated company.

Specifications subject to change without notice.

Lit. No. SP1194EN00 Rev. -, 12/2006. Replaces DS-293

© 2006 Millipore Corporation. All rights reserved.