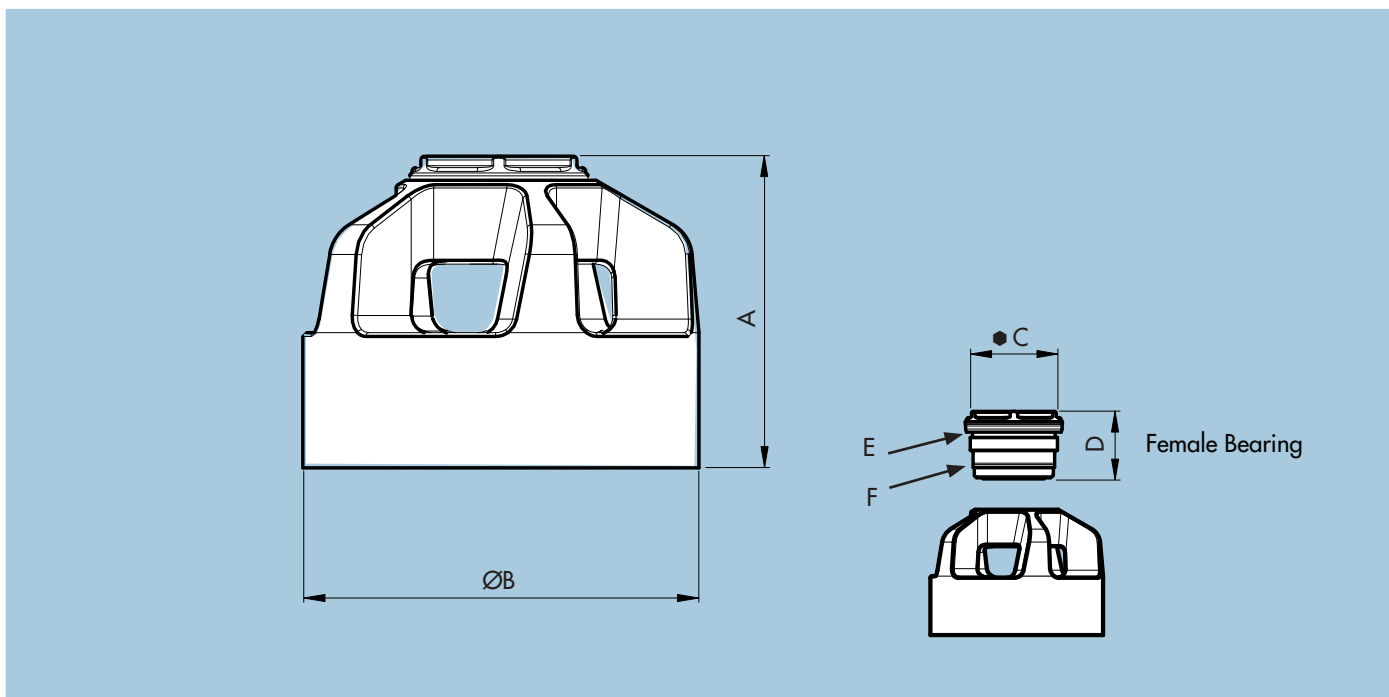


NovAseptic® Mixer Mixing Head, USM

Catalogue Number G10-###

Mixing Head, USM Configuration



Nominal Dimensions in mm (in.)

G10-###	A	B	●C	D	O-Ring E	O-Ring F	Compatible Mixer
G10-012	80.5 (3.17)	104 (4.09)	M27	32.5 (1.28)	40.95x2.62 (1.612x0.103)	34.6x2.62 (1.363x0.103)	USM T60
G10-011	101.2 (3.98)	141 (5.55)	M36	45 (1.77)	56.82x2.62 (2.237x0.103)	47.29x2.62 (1.862x0.103)	USM T260

Specifications

Net Weight (approximate)

	USM T60	USM T260
	G10-012	G10-011
Weight kg (lb)	2.2 (4.85)	3.4 (7.50)

Material

	Mixing Head Stainless Steel in Compliance with		Female Bearing Silicone Carbide in Compliance with	O-Ring
Material Code	316L	EN 1.4435	Ceramic SiC (SsiC)	EPDM
Technical Requirements - Rod	ASME® SA-479	EN 10272	-	-
Technical Requirements - Plate	ASTM® A240	EN 10028-7/ EN 10088-2	-	-

Spare Part

	USM T60	USM T260
Female Bearing	G11-005	G11-006

Specifications

Surface Roughness:	Surface Ra ≤ 0.8µm (31µin)
Surface Treatment:	Electropolished
Operating Temperature:	5 to 135 °C (41 to 275 °F)
pH Range:	1-14
Note!	The assembled NovAseptic Mixer may have different design temperature and/or pressure limits. The weakest component in the assembled product determines the maximum design temperature and pressure limits.
Labeling:	Each Mixing Head is individually labeled for full traceability according to Millipore QA routines.
Packaging:	The Mixing Head is packaged in a closed box.
Quality Control:	Millipore Quality Assurance System guarantees the control and traceability at all stages of the manufacturing.
Options:	For non-standard NovAseptic Mixer Options, please contact Millipore for further information.

To Place an Order or Receive Technical Assistance

For additional information call your nearest Millipore office or visit us at www.millipore.com.
In the U.S. and Canada, call toll-free 1-800-MILLIPORE (1-800-645-5476). In the U.S., Canada and Puerto Rico, fax orders to 1-800-MILLIFX (1-800-645-5439).

MILLIPORE

Millipore and NovAseptic are registered trademarks of Millipore Corporation.
ASME is a registered trademark of the American Society of Mechanical Engineers.
ASTM is a registered trademark of the American Society for Testing and Materials.
Specifications subject to change without notice.
Lit. No. SP1193EN00 Rev. A, 04/2007. Replaces SP1193EN00 Rev. -
© 2007 Millipore Corporation. All rights reserved.