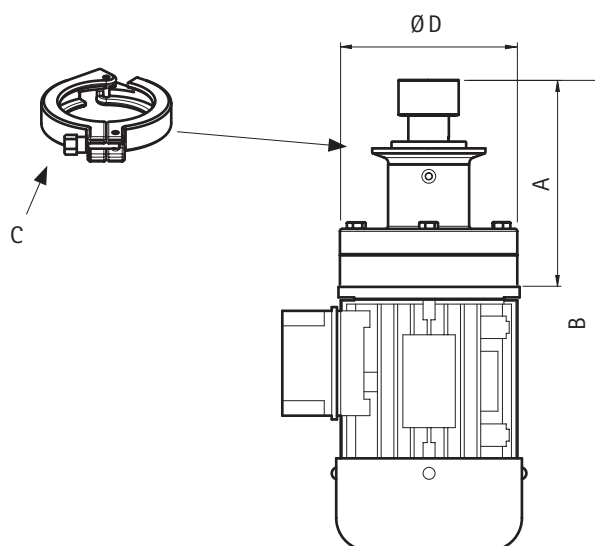


Specification Sheet

# NovAseptic<sup>®</sup> Mixer Drive Unit, USM

Catalogue Number:

USM###/4XS-N#



## Nominal Dimensions in mm (in.)

Catalogue No. USM###/4XS-N#	A	B	TC Clamp C	Motor Flange Type D	Revolution Counter	Compatible Mixer
TBD	87 (3.43)	271 (10.67)	–	B14	Yes	USM T10
USM60/4XS-N2	140 (5.51)	415 (16.34)	91 (3)	B14	Yes	USM T60
USM260/4XS-N2	180 (7.09)	505 (19.89)	–	B14	Yes	USM T260

# Specifications

## Net Weight (approximate)

	USM T10	USM T60	USM T260
Catalogue No.	TBD	USM60/4XS-N2	USM260/4XS-N2
Weight kg (lb)	6 (13)	16 (35.3)	58 (128)

## General Motor Data

	USM T10	USM T60	USM T260
Type	Three-phase asynchronous	Three-phase asynchronous	Three-phase asynchronous
Voltage	230/400V AC - 50Hz and 460V AC - 60Hz	230/400V AC - 50Hz and 460V AC - 60Hz	230/400V AC - 50Hz and 460V AC - 60Hz
Number of Poles	4	4	4
Degree of Protection	IP 55	IP 55	IP 55
Thermistor	1	1	1

## Drive Unit Specifications

### Motor

	Type Nord	Max Effect (kW) 50/60Hz	Frequency (Hz)	Speed (rpm) 50/60Hz	Max Current (A) 230/400V AC*
USM10/4XS-N	SK 63L/4 TF	0.25/0.33	50/60	1325 /1590	1.3/0.75
USM60/4XS-N2	SK 90M/4 TF IE2	1.1/1.3	50/60	1400/1680	4.88/2.82
USM260/4XS-N2	SK 112M/4 TF IE2	4.0/4.7	50/60	1420/1700	-/8.9

### Frame

### Complete Drive Unit

	Type Nord	Outer Driving Head Torque (Nm)	Design Speed (rpm)**
USM10/4XS-N	IEC 63 B14	1	350-1800
USM60/4XS-N2	IEC 90 B14	7	350-1800
USM260/4XS-N2	IEC 132 B14	26	350-1800

## Additional Information

Environment Temperature	-15 to 40 °C (5 to 104 °F)
Design Pressure	Atmospheric pressure
Operating Speed	Maximum operating speed has to be validated for each process individually, depending on volume, viscosity etc.
Note	The assembled NovAseptic Mixer may have different design temperature and/or pressure limits. The weakest component in the assembled product determines the maximum design temperature and pressure limits.
Labeling	Each Drive Unit is individually labeled for full traceability according to our QA routines.
Packaging	The Drive Unit is packaged in a closed box.
Quality Control	Our Quality Assurance System guarantees the control and traceability of the product.
Options	For non-standard NovAseptic Mixer Options, please contact your local sales representative for further information.

\*Note: Approx. for more accurate figures contact your local sales representative.

\*\*Note: Design Speed is the mechanical limit.



[www.merckmillipore.com](http://www.merckmillipore.com)

Merck Millipore and the M mark are trademarks of Merck KGaA, Darmstadt, Germany. NovAseptic is a registered trademark of Millipore Corporation. Specifications subject to change without notice. Lit. No. SP1196EN00 Rev. A 09/2011 DP SBU-11-04800 Printed in the USA. ©2011 Millipore Corporation, Billerica, MA 01821 U.S.A. All rights reserved.

## To Place an Order or Receive Technical Assistance

In Europe, please call Customer Service:

France: 0825.045.645  
 Spain: 901.516.645 Option 1  
 Germany: 01805.045.645  
 Italy: 848.845.645

United Kingdom: 0870.900.46.45

For other countries across Europe, please call: +44 (0) 115 943 0840

Or visit [www.merckmillipore.com/offices](http://www.merckmillipore.com/offices)

For Technical Service visit:

[www.merckmillipore.com/techservice](http://www.merckmillipore.com/techservice)