

## Specification Sheet

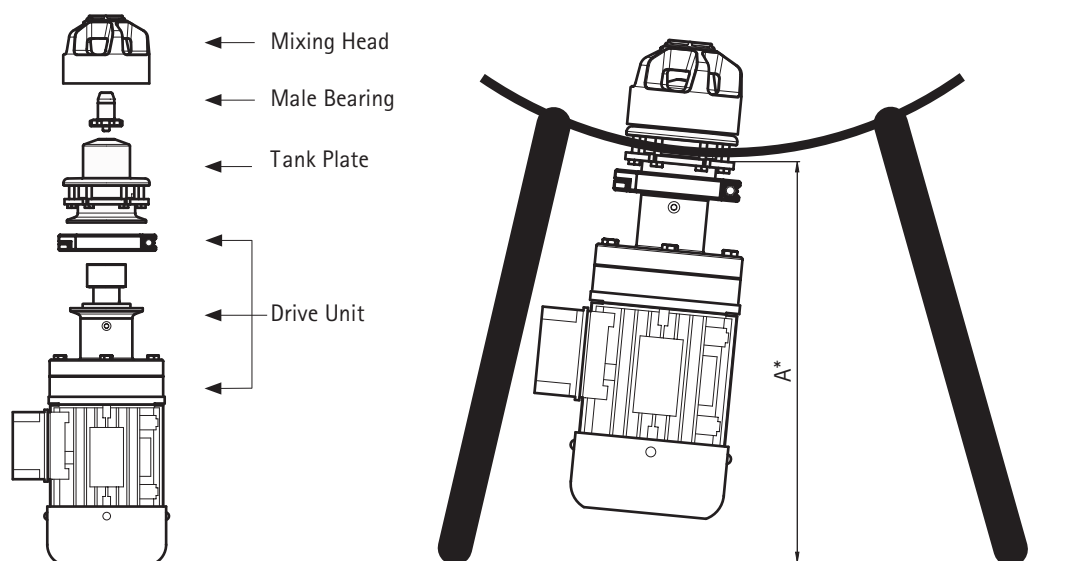
# NovAseptic<sup>®</sup> Mixer, Mixer Assembly, USM

Catalogue Number:

USM-T#-#

## Product Description

The NovAseptic mixers offer a complete solution for mixing throughout the process line and are designed for a wide variety of mixing applications in the pharmaceutical and biotechnology industries.



## Catalogue No. Structure

USM | T# | #  
Mixer | Size | Motor Number

## Nominal Dimensions in mm (in.)

USM Mixer Assembly					
	Mixing Head	Male Bearing	Drive Unit	A	Mixer Model
USM-T010-TBD	TBD	TBD	TBD	350 (13.78)	USMT10
USM-T060-1011N	G10-012	G20-008	USM60/4XS-N2	500 (19.69)	USMT60
USM-T260-1011N	G10-011	G20-006	USM260/4XS-N2	600 (23.62)	USMT260

# Specifications

## Net Weight (approximate)

Mixer Assembly	USM T10	USM T60	USM T260
Weight kg (lb)	6 (13)	20 (44)	66 (145.5)

## Max Tip Speed (m/s)

Mixer Assembly	USM T10	USM T60	USM T260
Max Tip Speed* (m/s)	7.9	10	13

## Shear Quota (s-1)

Mixer Assembly	USM T10	USM T60	USM T260
Shear Rate** (s-1)	400	360	360

## Mixer Accessory Parts (included)

	USM - Catalogue No.	Specification Sheet - Lit. No.
Mixing Head	G10-#	SP1193EN00
Male Bearing	G20-#	SP1194EN00
Drive Unit	G40-#	SP1196EN00

## Mixer Accessory Parts (not included)

	USM - Catalogue No.	Specification Sheet - Lit. No.
Tank Plate (Flanged) USM T10	–	–
Welding Flange USM T10	–	–
Tank Plate (Welded) USM T10	G30-001	SP1033EN00
Tank Plate (Flanged) USM T60	G30-013	SP1195EN00
Welding Flange USM T60	GM15/393	SP1195EN00
Tank Plate (Welded) USM T60	G30-009	SP1153EN00
Tank Plate (Flanged) USM T260	G30-014	SP1195EN00
Welding Flange USM T260	GM10100/393	SP1195EN00
Tank Plate (Welded) USM T260	G30-011	SP1191EN00

## Mixer Accessory and Spare Parts (not included)

	USM - Catalogue No.	Specification Sheet - Lit. No.
Attractor: USM T10 and USM T60	GT05/AW and GT60/AW	SP1178EN00
Female Bearing for Mixing Head	G11-#	SP1193EN00
Tightening Tool for Female Bearing: USM T10 and USM T60	GM051/15-TFB and G93-#	SP1197EN00 and SP357EN00
Multi Tool for Mixing Head and Male Bearing	G93-#	SP1201EN00
Welding Tool Tank Plate Heatsink	G94-#	SP1179EN00
Control Cabinet	Please contact your local sales representative for additional information.	
O-Ring 1, EPDM, USM T10 Mixing Head	ORE23.52X1.78	
O-Ring 2, EPDM, USM T10 Mixing Head	ORE26.70X1.78	
O-Ring 1, EPDM, USM T60 Mixing Head	ORE34.6X2.62	
O-Ring 2, EPDM, USM T60 Mixing Head	ORE40.95X2.62	
O-Ring 1, EPDM, USM T260 Mixing Head	ORE47.29X2.62	
O-Ring 2, EPDM, USM T260 Mixing Head	ORE56.82X2.62	

\* To Be Decided

\*\* Note: Shear Rate at Mechanical Limit

## Additional Information

Ambient Temperature*	-15 to 40 °C (5 to 104 °F)
Operating Temperature*	5 to 135 °C (41 to 275 °F)
Specification Sheet	Further information is available on the Specification Sheet of each NovAseptic Mixer Assembly part.
Quality Control	The Quality Assurance System guarantees the control and traceability at all stages of the manufacturing.
Options	For non-standard NovAseptic Mixer options, please contact your local sales representative for further information.

\*Note: The NovAseptic Mixer may have different design temperature and/or pressure limits. The weakest component in the assembled product determines the maximum permitted design temperature and pressure limits.



[www.emdmillipore.com](http://www.emdmillipore.com)

EMD Millipore and the M mark are trademarks of Merck KGaA, Darmstadt, Germany. NovAseptic is a registered trademark of Millipore Corporation. Specifications subject to change without notice. Lit. No. SP1192EN00 Rev. B 09/2011 DP.SBU-11-04801 Printed in the USA. ©2011 Millipore Corporation, Billerica, MA 01821 U.S.A. All rights reserved.

## To Place an Order or Receive Technical Assistance

In the U.S. and Canada, call toll-free [1-800-645-5476](tel:1-800-645-5476)

For other countries across Europe and the world, please visit [www.millipore.com/offices](http://www.millipore.com/offices)

For Technical Service, please visit [www.millipore.com/techservice](http://www.millipore.com/techservice)