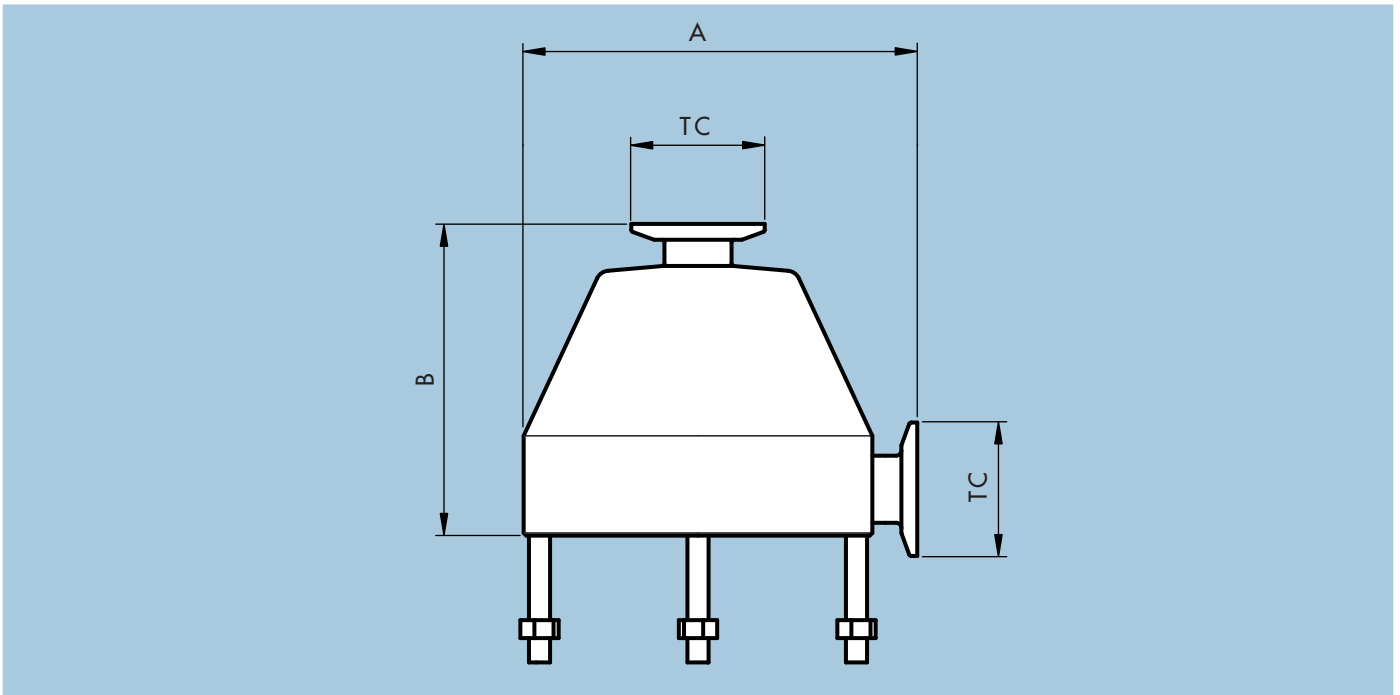


NovAseptic® Mixer Housing, HSI

Catalogue Number G0J-###

Housing, HSI Configuration



Nominal Dimensions in mm (in.)

G0J-###	A	B	TC	Compatible Mixer
G0J-001	149 (5.87)	118 (4.65)	50.5 (1.99)	HSI T60

Specifications

Net Weight (approximate)

	HSI T60
	G0J-001
Weight kg (lb)	4.0 (8.82)

Material

	Bar Stainless Steel in Compliance with	
Material Code	316L	EN 1.4435
Technical Requirements - Rod	ASME® SA-479	EN 10272
Technical Requirements - Plate	ASTM® A240	EN 10028-7/ EN 10088-2

Surface Roughness: Surface Ra ≤ 0.8µm (31µin)

Surface Treatment: Electropolished

Operating Temperature: 5 to 135 °C (41 to 275 °F)

Design Pressure: -1 to 10 bar(g) (14.5 to 145 psi(g))

pH Range: 1-14

Note! The assembled NovAseptic Mixer may have different design temperature and/or pressure limits. The weakest component in the assembled product determines the maximum design temperature and pressure limits.

Labeling: Each Housing is individually labeled for full traceability according to Millipore QA routines.

Packaging: The Housing is packaged in a closed box.

Quality Control: Millipore Quality Assurance System guarantees the control and traceability at all stages of the manufacturing.

Options: For non-standard NovAseptic Mixer Options, please contact Millipore for further information.

To Place an Order or Receive Technical Assistance

For additional information call your nearest Millipore office or visit us at www.millipore.com.

In the U.S. and Canada, call toll-free 1-800-MILLIPORE (1-800-645-5476). In the U.S., Canada and Puerto Rico, fax orders to 1-800-MILLIFX (1-800-645-5439).

MILLIPORE

Millipore and NovAseptic are registered trademarks of Millipore Corporation or an affiliated company.

ASME is a registered trademark of the American Society of Mechanical Engineers.

ASTM is a registered trademark of the American Society for Testing and Materials.

Specifications subject to change without notice.

Lit. No. SP1187EN00 Rev. 1, 12/2006. Replaces DS-286

© 2006 Millipore Corporation. All rights reserved.