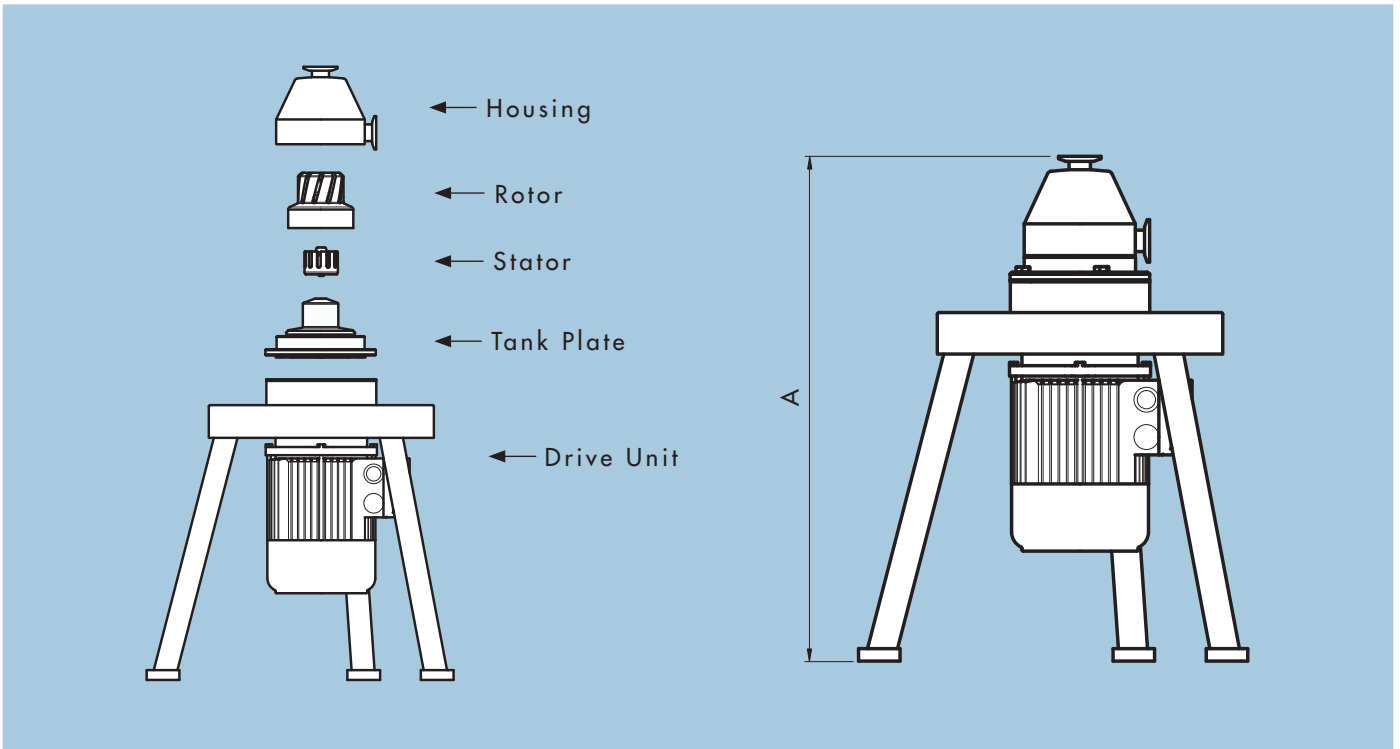


NovAseptic® Mixer Mixer Assembly, HSI

Catalogue Number HSI-T###-10110

Mixer Assembly, HSI Configuration



Nominal Dimensions in mm (in.)

HSI-T###-10110	A	Mixer Model
HSI-T060-10110	605 (23.82)	HSI T60

Specifications

Net Weight (approximate)

	Mixer Assembly, HSI T60
	HSI-T060-10110
Weight (kg)	34
Max Tip Speed (m/s)	10

Mixer Assembly Parts

	HSI T60 - Catalogue No.	Specification Sheet - Lit. No.
Housing	G0J-001	SP1187EN00
Rotor	G10-009	SP1152EN00
Stator	G20-005	SP1151EN00
Tank Plate	G30-012	SP1188EN00
Drive Unit	G40-076	SP1189EN00

Accessory

	HSI T60 - Catalogue No.	Specification Sheet - Lit. No.
Stator Mounting Tool	G93-013	SP1177EN00

Specifications

Environment Temperature: -15 to 40 °C (5 to 104 °F)

Operating Temperature: 5 to 135 °C (41 to 275 °F)

Specification Sheet: Further information is available on the Specification Sheet of each NovAseptic Mixer Assembly part.

Note! The assembled NovAseptic Mixer may have different design temperature and/or pressure limits. The weakest part in the assembled product sets the final permitted design temperature and pressure limits.

Quality Control: The Quality Assurance System guarantees the control and traceability at all stages of the manufacturing.

Options: For non-standard NovAseptic Mixer options, please contact Millipore for further information.

To Place an Order or Receive Technical Assistance

For additional information call your nearest Millipore office or visit us at www.millipore.com.

In the U.S. and Canada, call toll-free 1-800-MILLIPORE (1-800-645-5476). In the U.S., Canada and Puerto Rico, fax orders to 1-800-MILLIFX (1-800-645-5439).

MILLIPORE

Millipore and NovAseptic are registered trademarks of Millipore Corporation.

Specifications subject to change without notice.

Lit. No. SP1190EN00 Rev. -, 04/2007. Replaces DS-289

© 2007 Millipore Corporation. All rights reserved.