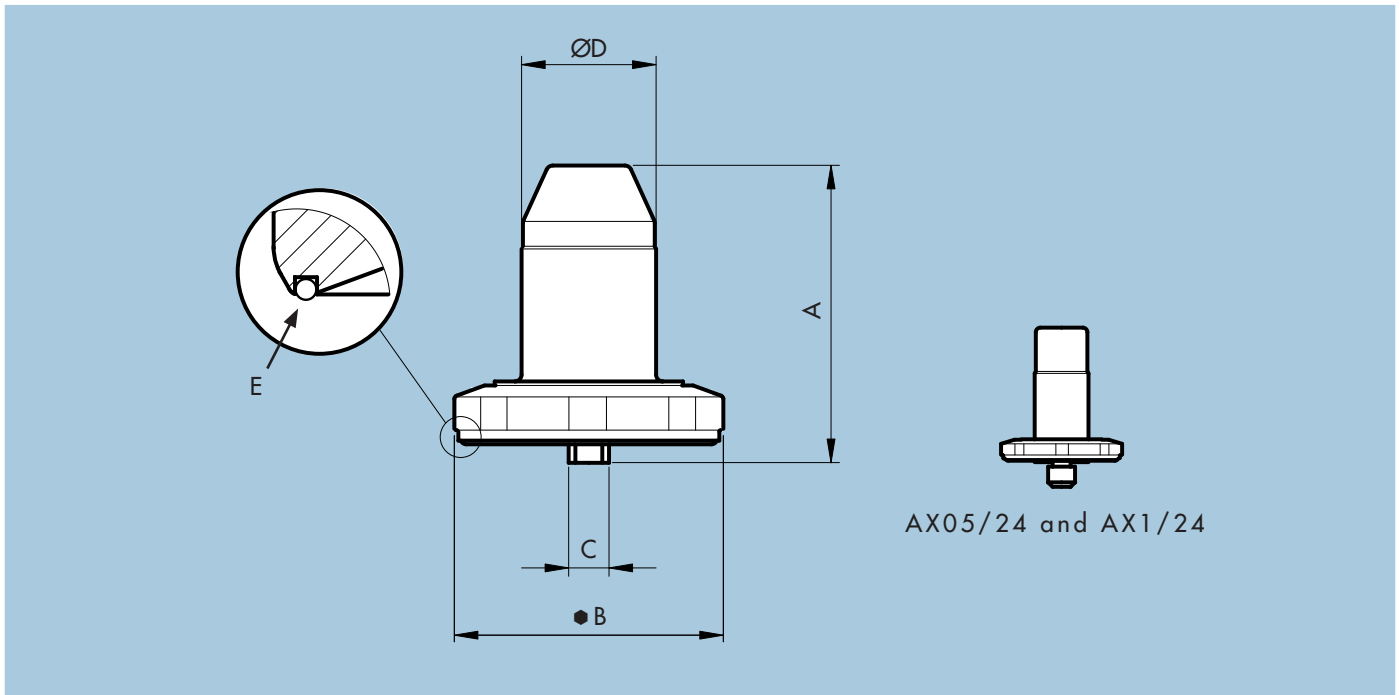


NovAseptic® Mixer Male Bearing, GMP ATEX

Catalogue Number AX#####/24



Male Bearing, GMP ATEX Configuration



AX05/24 and AX1/24

Nominal Dimensions in mm (in.)

AX#####/24	A	● B	C	D	O-Ring E	Compatible Mixer
AX05/24	35 (1.38)	26 (1.02)	M6	12 (0.47)	21.95x1.78 (0.864x0.070)	GMP50 ATEX
AX1/24	35 (1.38)	26 (1.02)	M6	12 (0.47)	21.95x1.78 (0.864x0.070)	GMP100 ATEX
AX510/24	45 (1.77)	39 (1.54)	M6	20 (0.79)	34.65x1.78 (1.364x0.070)	GMP500 ATEX
AX510/24	45 (1.77)	39 (1.54)	M6	20 (0.79)	34.65x1.78 (1.364x0.070)	GMP1000 ATEX
AX20/24	48 (1.89)	39 (1.54)	M10	20 (0.79)	34.65x1.78 (1.364x0.070)	GMP2000 ATEX
AX50200/24	80 (3.15)	51.5 (2.03)	M12	30 (1.18)	47.35x1.78 (1.864x0.070)	GMP5000 ATEX
AX50200/24	80 (3.15)	51.5 (2.03)	M12	30 (1.18)	47.35x1.78 (1.864x0.070)	GMP10000 ATEX
AX50200/24	80 (3.15)	51.5 (2.03)	M12	30 (1.18)	47.35x1.78 (1.864x0.070)	GMP20000 ATEX

Specifications

Net Weight (approximate)

Male Bearing	AX05/24	AX1/24	AX510/24	AX20/24	AX50200/24
Weight kg (lb)	0.03 (0.066)	0.03 (0.066)	0.1 (0.22)	0.1 (0.22)	0.3 (0.66)

Material

	Bar Stainless Steel in Compliance with		Male Bearing Silicone Carbide in Compliance with	O-Ring
Material Code	AISI 316L	EN 1.4404	Ceramic SiC (SsiC)	EPDM

Technical Data: Class Ex II 1 GD
Category 1
Explosion group IIC
Temperature T4

Surface Roughness: Surface Ra ≤ 0.5µm (20µin)

Surface Treatment: Manually polished

Operating Temperature: 5 to 135 °C (41 to 275 °F)

pH Range: 1-14

Note: The assembled NovAseptic Mixer may have different design temperature and/or pressure limits. The weakest component in the assembled product determines the maximum design temperature and pressure limits.

Labeling: Each Male Bearing is individually labeled for full traceability according to Millipore QA routines.

Packaging: The Male Bearing is packaged in a closed box.

Quality Control: Millipore Quality Assurance System guarantees the control and traceability at all stages of the manufacturing.

To Place an Order or Receive Technical Assistance

For additional information call your nearest Millipore office or visit us at www.millipore.com.

In the U.S. and Canada, call toll-free 1-800-MILLIPORE (1-800-645-5476). In the U.S., Canada and Puerto Rico, fax orders to 1-800-MILLIFX (1-800-645-5439).

MILLIPORE

Millipore and NovAseptic are registered trademarks of Millipore Corporation or an affiliated company.

Specifications subject to change without notice.

Lit. No. SP1183EN00 Rev. -, 12/2006. Replaces DS-272

© 2006 Millipore Corporation. All rights reserved.