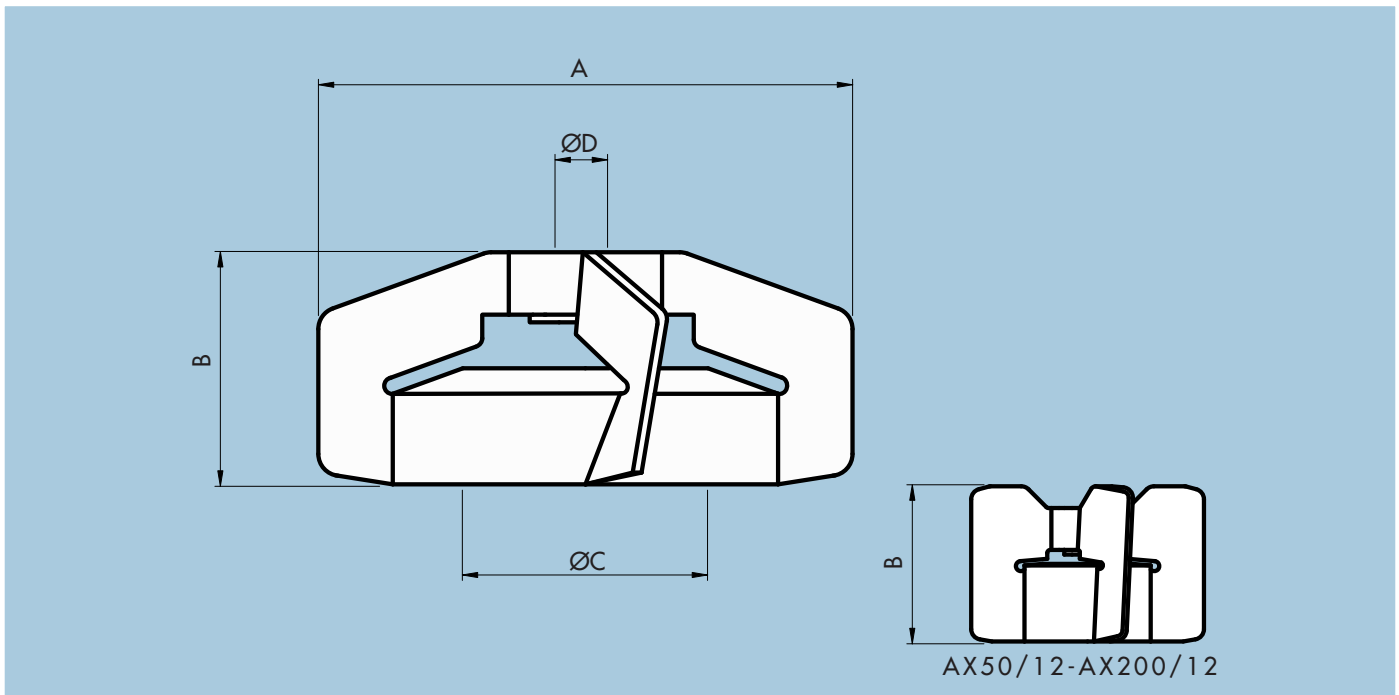


# NovAseptic® Mixer Mixing Head, GMP ATEX

Catalogue Number AX###/12 and AX##/120



## Mixing Head, GMP ATEX Configuration



Nominal Dimensions in mm (in.)

AX###/12#	A	B	C	D	Compatible Mixer
AX05/12	96 (3.78)	52 (2.05)	34 (1.34)	12 (0.47)	GMP50 ATEX
AX1/12	120 (4.72)	53 (2.09)	56 (2.20)	12 (0.47)	GMP100 ATEX
AX5/120	142 (5.59)	71 (2.80)	56 (2.20)	20 (0.79)	GMP500 ATEX
AX10/120	160 (6.30)	71 (2.80)	64 (2.52)	20 (0.79)	GMP1000 ATEX
AX20/12	184 (7.24)	73 (2.87)	87 (3.43)	20 (0.79)	GMP2000 ATEX
AX50/12	192 (7.56)	120 (4.72)	106 (4.17)	30 (1.18)	GMP5000 ATEX
AX100/12	225 (8.86)	150 (5.91)	87 (3.43)	30 (1.18)	GMP10000 ATEX
AX200/12	273 (10.75)	130 (5.12)	170 (6.69)	30 (1.18)	GMP20000 ATEX

## Specifications

## Net Weight (approximate)

Mixing Head	AX05/12	AX1/12	AX5/120	AX10/120	AX20/12	AX50/12	AX100/12	AX200/12
Weight kg (lb)	0.5 (1.1)	0.9 (2.0)	1.3 (2.87)	1.7 (3.75)	1.8 (3.97)	3.4 (7.50)	5.1 (11.2)	6.7 (14.8)

## Material

	Bar Stainless Steel in Compliance with		Plate Stainless Steel in Compliance with		Female Bearing
Material Code	316L	EN 1.4435	316L	EN 1.4435	Ceramic SiC (SsiC)

Technical Data: Class Ex II 1 GD  
Category 1  
Explosion group IIC  
Temperature T4

Surface Roughness: Surface Ra ≤ 0.5µm (20µin)

Surface Treatment: Manually polished

Operating Temperature: 5 to 135 °C (41 to 275 °F)

pH Range: 1-14

Note! The assembled NovAseptic Mixer may have different design temperature and/or pressure limits. The weakest component in the assembled product determines the maximum design temperature and pressure limits.

Labeling: Each Mixing Head is individually labeled for full traceability according to Millipore QA routines.

Packaging: The Mixing Head is packaged in a closed box.

Quality Control: Millipore Quality Assurance System guarantees the control and traceability at all stages of the manufacturing.

## To Place an Order or Receive Technical Assistance

For additional information call your nearest Millipore office or visit us at [www.millipore.com](http://www.millipore.com).

In the U.S. and Canada, call toll-free 1-800-MILLIPORE (1-800-645-5476). In the U.S., Canada and Puerto Rico, fax orders to 1-800-MILLIFX (1-800-645-5439).

# MILLIPORE

Millipore and NovAseptic are registered trademarks of Millipore Corporation or an affiliated company.

Specifications subject to change without notice.

Lit. No. SP1182EN00 Rev. -, 11/2006. Replaces DS-271

© 2006 Millipore Corporation. All rights reserved.