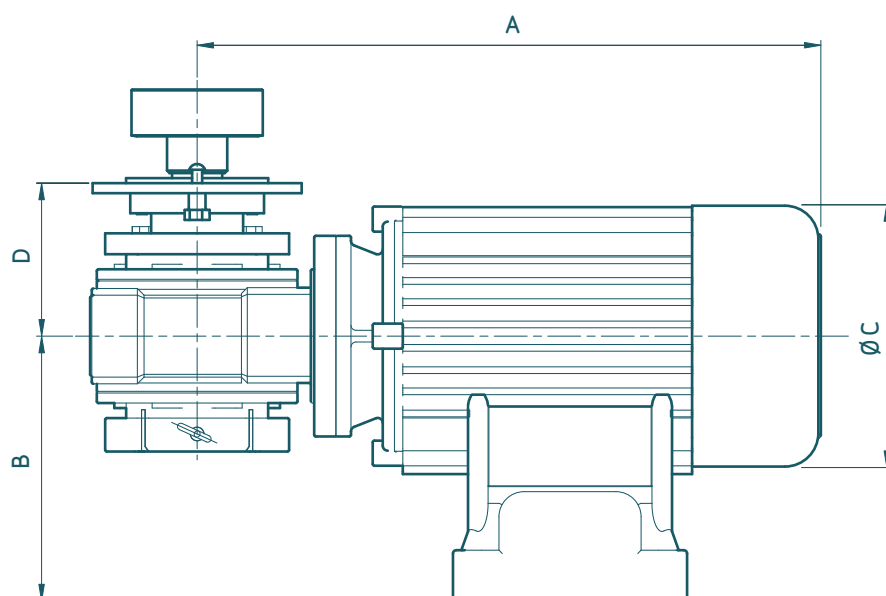


NovAseptic® MIXER DRIVE UNIT, GMP ATEX

Catalogue No.

AX###/41-E#-###

Drive Unit, GMP ATEX Configuration



Nominal Dimensions in mm (in.)										
AX###/41-E#-###	A	B	C	D -EO-###		D -E1-###		D -E2-###		Compatible Mixer*
AX05/41	285 (11.22)	138 (5.43)	124 (4.88)	83 (3.27)	-055	140 (5.51)	-056	-	-	GMP50 ATEX
AX1/41	285 (11.22)	138 (5.43)	124 (4.88)	70 (2.76)	-057	130 (5.12)	-058	170 (6.69)	-059	GMP100 ATEX
AX5/41	285 (11.22)	138 (5.43)	124 (4.88)	70 (2.76)	-060	130 (5.12)	-061	170 (6.69)	-062	GMP500 ATEX
AX10/41	320 (12.60)	147 (5.79)	140 (5.51)	75 (2.95)	-063	-	-	175 (6.89)	-064	GMP1000 ATEX
AX20/41	378 (14.88)	158 (6.22)	164 (6.46)	95 (3.74)	-065	-	-	195 (7.68)	-066	GMP2000 ATEX
AX50/41	378 (14.88)	158 (6.22)	164 (6.46)	100 (3.94)	-067	-	-	200 (7.87)	-068	GMP5000 ATEX
AX100/41	430 (16.93)	167 (6.57)	180 (7.09)	115 (4.53)	-069	-	-	215 (8.46)	-070	GMP10000 ATEX
AX200/41	430 (16.93)	167 (6.57)	180 (7.09)	120 (4.72)	-071	-	-	220 (8.66)	-072	GMP20000 ATEX

Specifications

Net Weight (approximate)								
Mixer Size	AX05/41	AX1/41	AX5/41	AX10/41	AX20/41	AX50/41	AX100/41	AX200/41
Weight kg (lb)	18 (39.7)	18 (39.7)	18 (39.7)	23.5 (51.81)	31 (68.3)	31 (68.3)	39.5 (87.08)	42 (92.6)

General Motor Data	
Voltage	230/ 400V AC - 50Hz
Number of Poles	2
Degree of Protection	IP 65
Insulating Class	CLF
Ventilation	IC411 (TEFC)
Variable Speed Duty	Quadratic Torque 5 - 50Hz
Thermostat	2 (PTC 110 °C) 2 (PTC 120 °C)
Color	White
Oil	Food grade synthetic, complies with the Code of Federal Regulations (FDA), US 21 CFR 178.3570, 178.3620 and 182

General Revolution Counter Data	
Manufacturer	Pepperl - Fuchs
Catalogue No.	NCB1.5-8GM25-N0-V1
Standard	Namur DIN EN 60947-5-6
Labeling	II 1G EEx ia IIC T6, II 1D Ex iaD 20T 108 °C
Degree of Protection	IP 67
Pulses / revolution	1
Cable Length (Detachable)	2m

Drive Unit Specifications

	Motor						Frame (IEC)
	Type BEVI	Marking	Max Effect (kW)	Frequency (Hz)	Max Current (A) 230/ 400V AC*	Speed (rpm) 50Hz	
AX05/41	AC75 63B-2	II 2 GD EEx de IIC T4 (inverter rated)	0.25	50	1.5/ 0.85	2805	63/ B14
AX1/41	AC75 63B-2	II 2 GD EEx de IIC T4 (inverter rated)	0.25	50	1.5/ 0.85	2805	63/ B14
AX5/41	AC75 63B-2	II 2 GD EEx de IIC T4 (inverter rated)	0.25	50	1.5/ 0.85	2805	63/ B14
AX10/41	AC75 71B-2	II 2 GD EEx de IIC T4 (inverter rated)	0.55	50	2.4/ 1.4	2830	72/ B14
AX20/41	AC75 80A-2	II 2 GD EEx de IIC T4 (inverter rated)	0.75	50	3.3/ 1.9	2800	80/ B14
AX50/41	AC75 80B-2	II 2 GD EEx de IIC T4 (inverter rated)	1.1	50	-/ 2.6	2830	80/ B14
AX100/41	AC75 90S-2	II 2 GD EEx de IIC T4 (inverter rated)	1.5	50	-/ 3.1	2870	90/ B14
AX200/41	AC75 90L-2	II 2 GD EEx de IIC T4 (inverter rated)	2.2	50	-/ 4.8	2860	90/ B14

* Note: Approx. for more accurate figures contact Millipore.

Drive Unit Specifications

	Gearbox			Complete Drive Unit	
	Type BEVI	Marking	Ratio (i)	Outer Driving Head Torque (Nm)	Design Speed (rpm)*
AX05/41	FRS 28/FA	II 2GD ck	7	1	50 - 400
AX1/41	FRS 28/FA	II 2GD ck	7	2	50 - 400
AX5/41	FRS 28/FA	II 2GD ck	7	6	50 - 400
AX10/41	FRS 40/PA	II 2GD ck	7	8	50 - 400
AX20/41	FRS 50/PA	II 2GD ck	7	13	50 - 400
AX50/41	FRS 50/PA	II 2GD ck	7	23	50 - 400
AX100/41	FRS 60/PA	II 2GD ck	7	33	50 - 400
AX200/41	FRS 70/PA	II 2GD ck	10	60	35 - 280

* Note: Design Speed is the mechanical limit.

Specifications

Environment Temperature:	0 to 40 °C (32 to 104 °F)
Design Pressure:	Atmospheric pressure
Operating Speed:	Maximum operating speed has to be validated for each process individually, depending on volume, viscosity etc.
Note!	The assembled NovAseptic Mixer may have different design temperature and/or pressure limits. The weakest component in the assembled product determines the maximum design temperature and pressure limits.
Labeling:	Each drive unit is individually labeled for full traceability according to Millipore QA routines.
Packaging:	Each drive unit is packaged in a closed box.
Quality Control:	Millipore Quality Assurance System guarantees the control and traceability of the product.

TO PLACE AN ORDER OR RECEIVE TECHNICAL ASSISTANCE

For additional information call your nearest Millipore office:

In the U.S. and Canada, call toll-free
1-800-MILLIPORE (1-800-645-5476)

In the U.S., Canada and Puerto Rico, fax orders to
1-800-MILLIFX (1-800-645-5439)

Outside of North America contact your local office.

To find the office nearest you: www.millipore.com/offices

Internet: www.millipore.com

Technical Service: www.millipore.com/techservice



www.millipore.com/offices

Millipore, Advancing Life Science Together and NovAseptic are registered trademarks of Millipore Corporation.

The M mark is a trademark of Millipore Corporation.

Specifications are subject to change without notice.

Lit. No. SP1185EN00 Rev. B 11/09 BP-GEN-09-02416

© 2009 Millipore Corporation, Billerica, MA 01821 U.S.A. All rights reserved

ADVANCING LIFE SCIENCE TOGETHER®
Research. Development. Production.