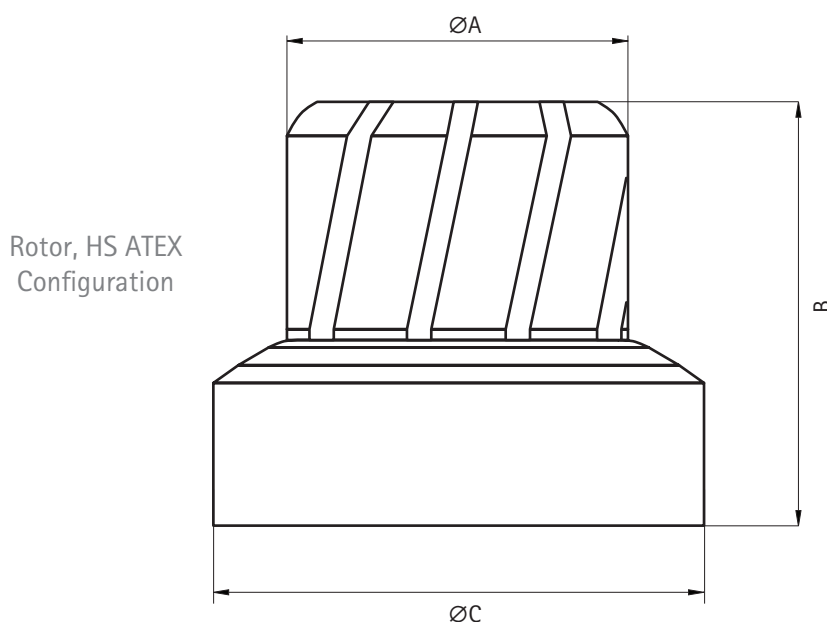


Specification Sheet

NovAseptic[®] Mixer, Rotor HS ATEX

Catalogue Numbers:

AX10-###



Nominal Dimensions in mm (in.)





AX10-###	A	B	C	Compatible Mixer
AX10-013	41 (1.61)	59 (2.32)	60 (2.36)	HS T10 ATEX
AX10-009	65 (2.56)	79 (3.11)	93 (3.66)	HS T60 ATEX
AX10-010	115 (4.53)	118 (4.65)	145 (5.71)	HS T260 ATEX

Specifications

Net Weight (approximate)			
Mixer, Rotor	HS T10 ATEX	HS T60 ATEX	HS T260 ATEX
	AX10-013	AX10-009	AX10-010
Weight kg (lb)	0.5 (1.1)	1.4 (3.09)	3.4 (7.50)

Material			
	Rotor	Female Bearing	
	Stainless steel in compliance with	Stainless steel in compliance with	
Material Code	316L	EN 1.4435	Ceramic SiC (SsiC)
Technical Requirements - Rod	ASME® SA-479	EN10272	–
Technical Requirements - Plate	ASTM® A240	EN 10028-7/EN 10088-2	–

ATEX Temperature Class			
Mixer	HS T10 ATEX	HS T60 ATEX	HS T260 ATEX
Temperature Class	T4	T3	T2

Technical Data			
Class  II 1 GD	AX 10-013		II 1 GD c T4 0 °C ≤ Ta ≤ + 40 °C
Category 1	AX 10-009		II 1 GD c T3 0 °C ≤ Ta ≤ + 40 °C
Explosion group IIC	AX 10-010		II 1 GD c T2 0 °C ≤ Ta ≤ + 40 °C

Additional Information	
Surface Roughness	Surface Ra ≤ 0.8 µm (31 µin)
Surface Treatment	Electropolished
Operating Temperature	5 to 135 °C (41 to 275 °F)
Note	The assembled NovAseptic® Mixer may have different design temperature and/or pressure limits. The weakest component in the assembled product determines the maximum design temperature and pressure limits.
Labeling	Each Rotor is individually labeled for full traceability according to our QA routines.
Packaging	The Rotor is packaged in a closed box.
Quality Control	Our Quality Assurance System guarantees the control and traceability at all stages of the manufacturing.
Options	For non-standard NovAseptic® Mixer options, please contact your local sales representative for further information.



www.merckmillipore.com

Merck Millipore and the M mark are registered trademarks of Merck KGaA, Darmstadt, Germany. NovAseptic is a registered trademark of Millipore AB. ASME is a registered trademark of the American Society of Mechanical Engineers. ASTM is a registered trademark of the American Society for Testing and Materials. Specifications subject to change without notice. Lit. No. SP3355EN00 Rev. B 06/2014 PS SBU-12-06933 Printed in the USA. ©2014 EMD Millipore Corporation, Billerica, MA, USA. All rights reserved.

To place an order or receive technical assistance

In Europe, please call Customer Service:

France: 0825 045 645

Germany: 069 86798021

Italy: 848 845 645

Spain: 901 516 645 Option 1

Switzerland: 0848 645 645

United Kingdom: 0870 900 4645

For other countries across Europe, please call: +44 (0) 115 943 0840

Or visit: www.merckmillipore.com/offices

For Technical Service visit:

www.merckmillipore.com/techservice