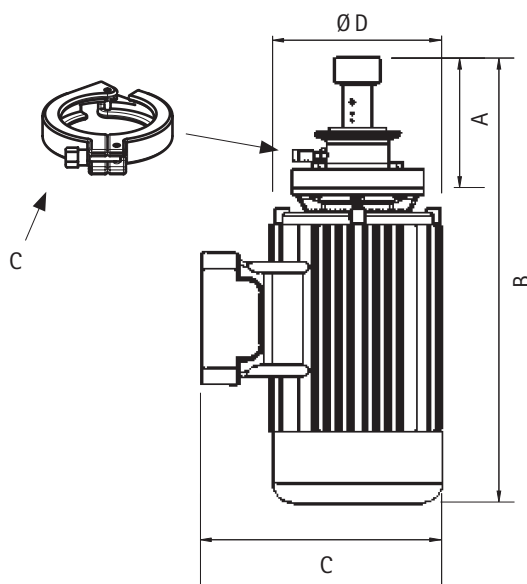


Specification Sheet

# NovAseptic<sup>®</sup> Mixer Drive Unit, HS ATEX

Catalogue Number:

AX40-###



## Nominal Dimensions in mm (in.)

Catalogue AX40-###	A	B	C	D	TC Clamp E	Speed Sensor	Compatible Mixer
AX40-079	87 (3.43)	310 (12.20)	206 (8.11)	123 (4.84)	-	Yes	HS T10 ATEX
AX40-078	138 (5.43)	474 (18.66)	257 (10.11)	180 (7.09)	91 (3)	Yes	HS T60 ATEX
AX40-071	178 (7.01)	602 (23.70)	389 (15.31)	258 (10.16)	-	Yes	HS T260 ATEX

# Specifications

## Net Weight (approximate)

	HS T10 ATEX	HS T60 ATEX	HS T260 ATEX
Catalogue No.	AX40-079	AX40-078	AX40-071
Weight kg (lb)	18 (40)	37 (81)	123 (271)

## General Motor Data

	HS T10 ATEX	HS T60 ATEX	HS T260 ATEX
Catalogue No.	AX40-079	AX40-078	AX40-071
Type	Three-phase asynchronous	Three-phase asynchronous	Three-phase asynchronous
Voltage	230/400V AC - 50Hz and 460V AC - 60Hz	230/400V AC - 50Hz and 460V AC - 60Hz	400/690V AC - 50Hz and 460V AC - 60Hz
Number of Poles	2	2	2
Degree of Protection	IP 65	IP 65	IP 65
Insulating Class	CLF	CLF	CLF
Ventilation	IC411 (TEFC)	IC411 (TEFC)	IC411 (TEFC)
Variable Speed Duty	Quadratic Torque 5 - 50Hz	Quadratic Torque 5 - 50Hz	Quadratic Torque 5 - 50Hz
Thermostat	2 (PTC 110 °C) (PTC 120 °C)	2 (PTC 110 °C) (PTC 120 °C)	2 (PTC 110 °C) (PTC 120 °C)
Color	White	White	White

## General Speed Sensor Data

Manufacturer	Pepperl-Fuchs
Catalogue No.	NCB1.5-8GM25-NO-V1
Standard	Namur DIN EN 60947-5-6
Labeling	II 1G Ⓢ ia IIC T6 Ga II 1D Ⓢ iaD 20 T 108 °C
Degree of Protection	IP 67
Pulses / revolution	1
Cable Length (Detachable)	2m

## Drive Unit Specifications

### Motor

Catalogue No.	Brand	Max Effect (kW) 50/60Hz	Frequency (Hz)	Speed (rpm) 50/60Hz	Max Current (A) 230/400V AC*
AX40-079	Cemp	0.25/0.29	50/60	2805/3405	1.5/0.85
AX40-078	Cemp	1.5/1.7	50/60	2870/3470	-/3.1
AX40-071	Cemp	7.5/8.6	50/60	2925/3525	-/15

### Frame

### Complete Drive Unit

Catalogue No.	IEC Size	Outer Driving Head Torque (Nm)	Design Speed (rpm)**	Temperature Class
AX40-079	IEC 63 B14	1	1500 - 5200	T4
AX40-078	IEC 90 B14	6	1500 - 3500	T3
AX40-071	IEC 132 B14	26	1500 - 3500	T2

## Additional Information

Technical Data	Class II 2 G Category 2 Explosion group IIC Temperature T4 or T3 or T2, see above
Environment Temperature	0 to 40 °C (32 to 104 °F)
Design Pressure	Atmospheric pressure
Operating Speed	Maximum operating speed has to be validated for each process individually, depending on volume, viscosity etc.
Note	The assembled NovAseptic® Mixer may have different design temperature and/or pressure limits. The weakest component in the assembled product determines the maximum design temperature and pressure limits.
Labeling	Each Drive Unit is individually labeled for full traceability according to our QA routines.
Packaging	The Drive Unit is packaged in a closed box.
Quality Control	Our Quality Assurance System guarantees the control and traceability of the product.
Options	For non-standard NovAseptic® Mixer Options, please contact your local sales representative for further information.

\*Note: Approximate – for more accurate figures contact your local sales representative.

\*\*Note: Design Speed is the mechanical limit.



[www.merckmillipore.com/offices](http://www.merckmillipore.com/offices)

Merck Millipore and the M mark are registered trademarks of Merck KGaA, Darmstadt, Germany.  
NovAseptic is a registered trademark of Millipore AB.  
Specifications subject to change without notice.  
Lit. No. SP5333EN00 Rev. A 06/2014 PS-13-08219 Printed in the USA.  
©2014 EMD Millipore, Billerica, MA 01821 U.S.A. All rights reserved.

## To Place an Order or Receive Technical Assistance

In the U.S. and Canada, call toll-free  
**1(800)-645-5476**

For other countries across Europe, call  
**+44 (0) 115 943 0840**

For other countries across Europe and the world,  
please visit [www.merckmillipore.com/offices](http://www.merckmillipore.com/offices)

For Technical Service, please visit  
[www.merckmillipore.com/techservice](http://www.merckmillipore.com/techservice)