

## Specification Sheet

# NovAseptic<sup>®</sup> Mixer Tank Plate, HS T10 ATEX

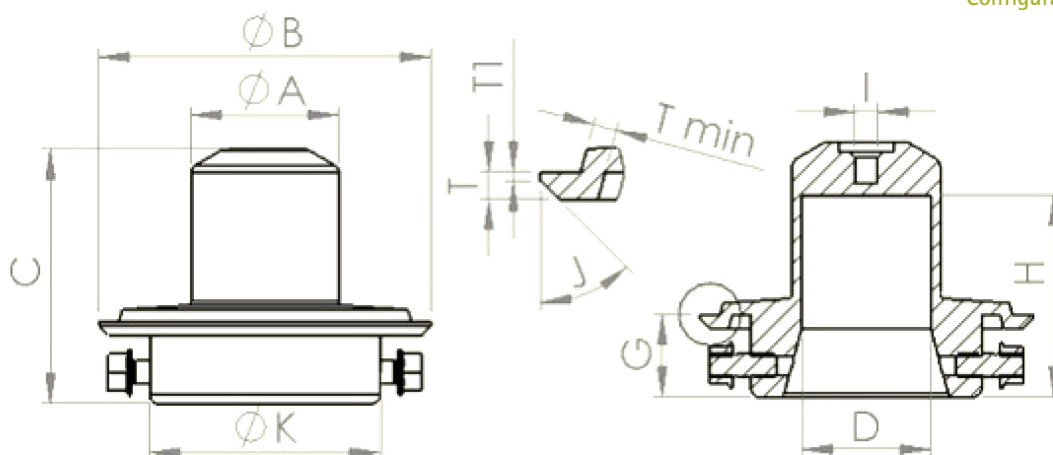
## Product Description

NovAseptic<sup>®</sup> mixers offer a complete solution for mixing throughout the process line and are designed for a wide variety of mixing applications in the pharmaceutical and biotechnology industries.

Catalogue Number:

AX 30-###

Tank Plate, HS T10 ATEX  
Configuration



## Nominal Dimensions in mm (in.)

AX30-###*	A	B	C	D	G	H	I	J	K	T	T1	Tmin	Compatible Mixer
AX 30-001	32 (1.26)	72 (2.83)	56 (2.20)	28 (1.10)	18 (0.71)	44 (1.73)	M6	45°	50 (1.97)	3 (0.12)	1 (0.04)	2.5 (0.10)	HS T10 ATEX


\*Note: NovAseptic<sup>®</sup> Gauge 1 (G91-###) and NovAseptic<sup>®</sup> Gauge 2 (G92-###) are mandatory for tank plate deformation check and shall be ordered separately.

# Specifications

Net Weight (approximate)	
Tank Plate	AX 30-001
Weight kg (lb)	0.5 (1.1)

Welding Diameter	
Tank Plate	AX 30-001
Diameter mm (in)	Ø72 (02.83)

Material		
	<b>Bar</b>	
	Stainless steel in compliance with	
Material Code	316L	EN 1.4435
Technical Requirements	ASME® SA-479	EN 10272

Additional Information	
Technical Data	Class  II 1 GD Category 1 Explosion group IIC Temperature T4
Surface Roughness	Surface Ra ≤ 0.38 µm (15 µin)
Surface Treatment	Liquid contact surface, manually polished
Design Temperature	-80 to 135°C (-112 to 275°F)
Design Pressure	-1 to 10 bar(g) (-14.5 to 145 psi(g))
Note	The assembled NovAseptic® Mixer may have different design temperature and/or pressure limits. The weakest component in the assembled product determines the maximum design temperature and pressure limits.
Labeling	Each tank plate is individually labeled for full traceability and heat number according to our QA routines..
Packaging	The tank plate is packaged in a closed box.
Quality Control	Our Quality Assurance System guarantees the control and traceability at all stages of the manufacturing.
In Compliance With	The NovAseptic® mixer is classified in Europe for PED Directive 97/23/EC Category IV and approved by Notified Body
Requirements	The tank plate is designed to meet requirements for USA, ASME® VIII Div 2. Stresses in tank plate due to internal pressure have been analysed by FEM

## To Place an Order or Receive Technical Assistance

In the U.S. and Canada, call toll-free **1-800-645-5476**

For other countries across Europe and the world, please visit [www.millipore.com/offices](http://www.millipore.com/offices)

For Technical Service, please visit [www.millipore.com/techservice](http://www.millipore.com/techservice)



[www.merckmillipore.com](http://www.merckmillipore.com)