

Specification Sheet

NovAseptic[®] Mixer Tank Plate, HS T260 ATEX

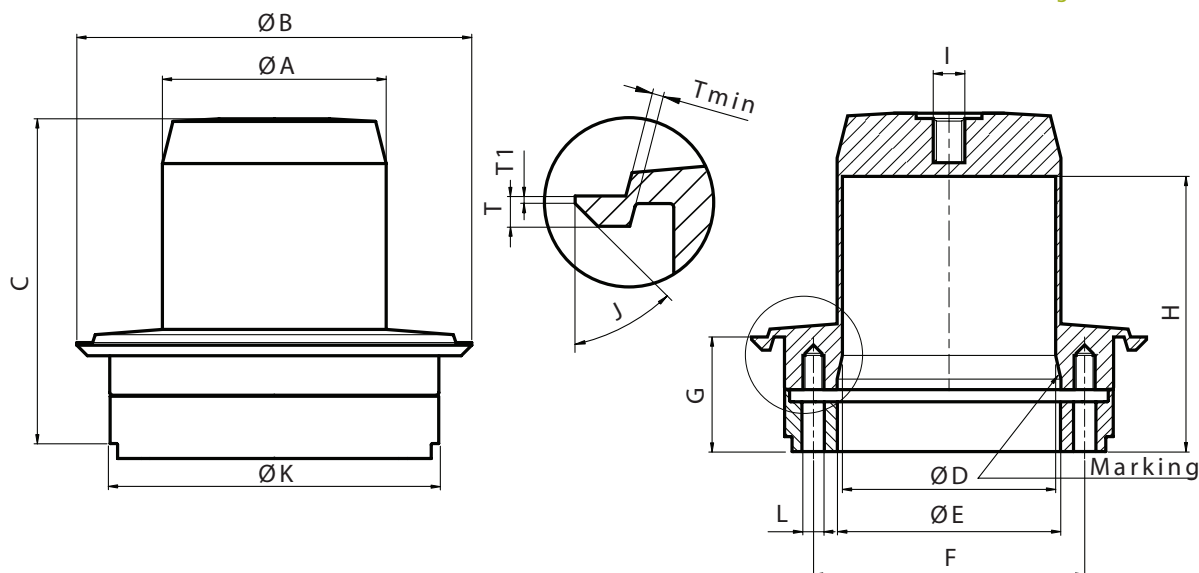
Catalogue Number:

AX 30-###

Product Description

NovAseptic[®] mixers offer a complete solution for mixing throughout the process line and are designed for a wide variety of mixing applications in the pharmaceutical and biotechnology industries.

Tank Plate, HS T260 ATEX
Configuration



Nominal Dimensions in mm (in.)

G30-###	A	B	C	D	E	F	G	H	I	J	K	L	T	T1	Tmin	Compatible Mixer
AX 30-011	104 (4.09)	160 (6.30)	93 (3.66)	100 (3.94)	104 (4.09)	116 (4.57)	33 (1.30)	74 (2.91)	M12	45°	128 (5.040)	M8	6 (0.24)	1.5 (0.06)	4.2 (0.17)	HS T260 ATEX


*Note: NovAseptic[®] Gauge 1 (G91-###) and NovAseptic[®] Gauge 2 (G92-###) are mandatory for tank plate deformation check and shall be ordered separately.

Specifications

Net Weight (approximate)	
Tank Plate	AX 30-011
Weight kg (lb)	2.5 (5.51)

Welding Diameter	
Tank Plate	AX 30-011
Diameter mm (in)	Ø160 (06.30)

Material		
	Bar Stainless steel in compliance with	
Material Code	316L	EN 1.4435
Technical Requirements	ASME® SA-479	EN 10272

Additional Information	
Technical Data	 II 1 GD c T2 0°C ≤ Ta ≤ + 40°C Category 1 Explosion group IIC Temperature T2
Surface Roughness	Surface Ra ≤ 0.38 µm (15 µin)
Surface Treatment	Liquid contact surface, manually polished
Design Temperature	-80 to 135°C (-112 to 275°F)
Design Pressure	-1 to 10 bar(g) (-14.5 to 145 psi(g))
Note	The assembled NovAseptic® Mixer may have different design temperature and/or pressure limits. The weakest component in the assembled product determines the maximum design temperature and pressure limits.
Labeling	Each tank plate is individually labeled for full traceability and heat number according to our QA routines..
Packaging	The tank plate is packaged in a closed box.
Quality Control	Our Quality Assurance System guarantees the control and traceability at all stages of the manufacturing.
In Compliance With	The NovAseptic® mixer is classified in Europe for PED Directive 97/23/EC Category IV and approved by Notified Body
Requirements	The tank plate is designed to meet requirements for USA, ASME® VIII Div 2. Stresses in tank plate due to internal pressure have been analysed by FEM

To place an order or receive technical assistance

In Europe, please call Customer Service:

France: 0825 045 645

Germany: 069 86798021

Italy: 848 845 645

Spain: 901 516 645 Option 1

Switzerland: 0848 645 645

United Kingdom: 0870 900 4645

For other countries across Europe, please call: +44 (0) 115 943 0840

Or visit: www.merckmillipore.com/offices

For Technical Service visit:

www.merckmillipore.com/techservice



www.merckmillipore.com