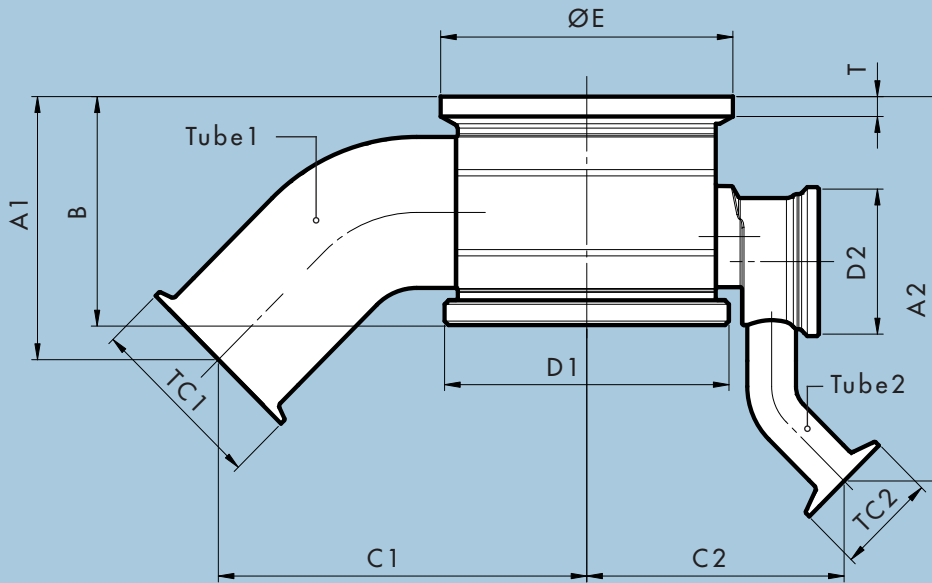


# NovAseptic® Valve Valve Body, Tank Outlet Valve 90°, Elbow 45° TC, CIP/SIP

Catalogue Number NU#####/462-312

## Valve Body, Tank Outlet Valve 90°, Elbow 45° TC, CIP/SIP Configuration



Nominal Dimensions in mm (in.)

US Tube ASTM® A269/270																
A1	B	C1	D1*	E	T	TC1	NU###	Size	Tube1	Satellite Option	NU###	A2	C2	D2*	TC2	Tube2
62.0 (2.441)	50.0 (1.968)	96.0 (3.780)	TR75x2	75.0 (2.953)	6.8 (0.268)	50.5 (1.988)	NU100	1"	25.4x1.65 (1.0x0.065)	Option 1	NU050	93.0 (3.661)	75.0 (2.953)	TR40x2	25.0 (0.984)	12.7x1.65 (0.50x0.065)
79.0 (3.110)	64.0 (2.520)	115.0 (4.528)	TR85x2	85.0 (3.346)	6.9 (0.272)	50.5 (1.988)	NU150	1½"	38.1x1.65 (1.5x0.065)	Option 1	NU050	107.0 (4.213)	81.0 (3.189)	TR40x2	25.0 (0.984)	12.7x1.65 (0.50x0.065)
										Option 2	NU075	144.0 (5.669)	103.0 (4.055)	TR55x2	25.0 (0.984)	19.1x1.65 (0.75x0.065)
96.0 (3.780)	77.0 (3.031)	146.0 (5.748)	TR109x2	110.0 (4.331)	6.7 (0.264)	64.0 (2.520)	NU200	2"	50.8x1.65 (2.0x0.065)	Option 1	NU050	120.0 (4.724)	93.0 (3.661)	TR40x2	25.0 (0.984)	12.7x1.65 (0.50x0.065)
										Option 2	NU100	153.0 (6.024)	120.0 (4.724)	TR75x2	50.5 (1.988)	25.4x1.65 (1.0x0.065)
134.0 (5.276)	115.0 (4.528)	207.0 (8.150)	TR146x2	150.0 (5.906)	10.0 (0.394)	91.0 (3.583)	NU300	3"	76.2x1.65 (3.0x0.065)	Option 1	NU150	196.0 (7.717)	153.0 (6.024)	TR85x2	50.5 (1.988)	38.1x1.65 (1.5x0.065)

\* Note: Non-standard thread, special thread to fit NovAseptic Actuators.

**Specifications**

**Net Volume (valve cavity, diaphragm applied)**

Valve Body	NU100 Option 1	NU150 Option 1	NU150 Option 2	NU200 Option 1	NU200 Option 2	NU300 Option 1
Volume ml	30.3	84.0	90.5	203.2	230.0	555.0

**Net Weight (approximate)**

Valve Body	NU100 Option 1	NU150 Option 1	NU150 Option 2	NU200 Option 1	NU200 Option 2	NU300 Option 1
Weight kg (lb)	1.0 (2.20)	1.7 (3.75)	2.0 (4.41)	3.0 (6.61)	3.5 (7.72)	8.3 (18.3)

**Material**

	Bar Stainless Steel in Compliance with		Tubing Stainless Steel in Compliance with	
Material Code	316L	EN 1.4435	TP316L	EN 1.4435
Technical Requirements	ASME® SA-479	EN 10272	ASTM® A269/270	EN 10217-7/ EN 10216-5

## Specifications

Surface Roughness:	Internal surface (manually polished) $Ra \leq 0.5\mu\text{m}$ (20 $\mu\text{in}$ ) External surface $Ra \leq 1.6\mu\text{m}$ (63 $\mu\text{in}$ )
Design Temperature, Valve Body:	-80 to 200 °C (-112 to 392 °F)
Design Pressure, Valve Body:	-1 to 10 bar(g) (-14.5 to 145 psi(g))
Note!	The applied diaphragm and actuator may have different design temperature and/or pressure limits. The weakest component in the assembled product determines the maximum design temperature and pressure limits.
Labeling:	Each Valve Body is individually labeled for full traceability and heat No. according to Millipore QA routines.
Packaging:	All open ends on the Valve Body are protected with plastic covers on delivery and packaged in a closed box.
Quality Control:	Millipore Quality Assurance System guarantees the control and traceability at all stages of the manufacturing.
In Compliance With:	The NovAseptic Valve is classified in Europe, for PED Directive 97/23/EC Category IV and approved by Notified Body. NovAseptic Valve is in compliance with ASME® BPE standard.
Options:	For non-standard NovAseptic Valve Body Options, please contact Millipore for further information.

## To Place an Order or Receive Technical Assistance

For additional information call your nearest Millipore office or visit us at [www.millipore.com](http://www.millipore.com).

In the U.S. and Canada, call toll-free 1-800-MILLIPORE (1-800-645-5476). In the U.S., Canada and Puerto Rico, fax orders to 1-800-MILLIFX (1-800-645-5439).

# MILLIPORE

Millipore and NovAseptic are registered trademarks of Millipore Corporation or an affiliated company.

ASME is a registered trademark of the American Society of Mechanical Engineers.

ASTM is a registered trademark of the American Society for Testing and Materials.

Specifications subject to change without notice.

Lit. No. SP1127EN00 Rev. 1, 09/2006. Replaces DS-072

© 2006 Millipore Corporation. All rights reserved.