

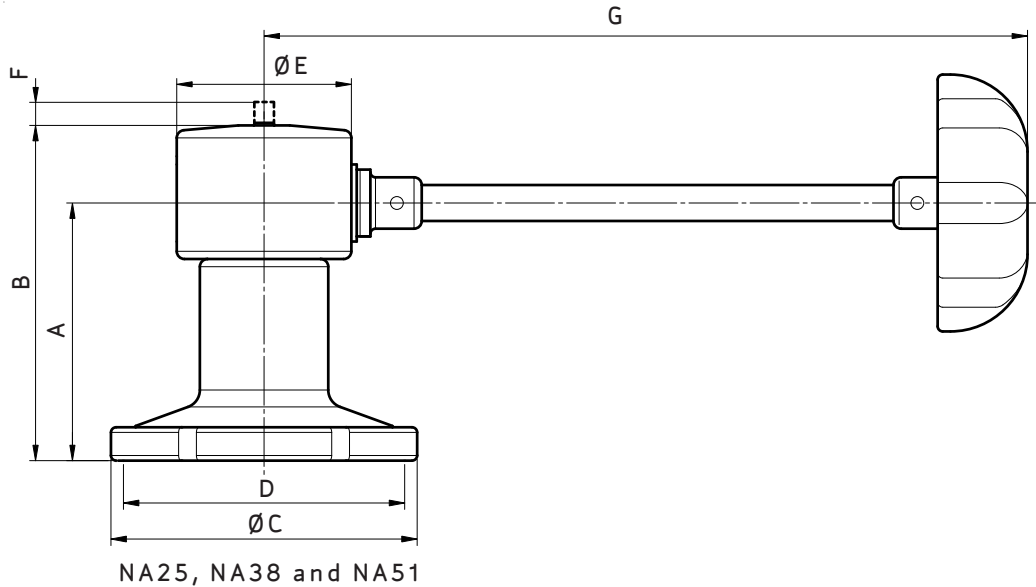
NovAseptic® VALVE, MANUAL STAINLESS STEEL ACTUATOR, EXTENDED HANDLE

Catalogue Numbers:

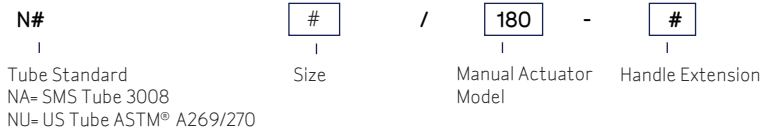
NA#/180-#

PRODUCT DESCRIPTION

The NovAseptic Valve is specifically designed for aseptic applications and complies with the most stringent cleanability and sterilization requirements. The focus on aseptic design is a significant feature for all valves. The NovAseptic Valve is designed for minimum dead leg, complete drainability and high chemical resistance.



Catalogue Number Structure



Nominal Dimensions in mm (in.)

Catalogue Number	A	B	C	D*	E	F	G	Compatible Valve Body	
								NA#	NU#
NA25/180-020	83.9 (3.303)	108.0 (4.252)	84.0 (3.307)	TR75x2	68.0 (2.677)	10.0 (0.394)	200.0 (7.87)	NA25	NU100
NA25/180-030	83.9 (3.303)	108.0 (4.252)	84.0 (3.307)	TR75x2	68.0 (2.677)	10.0 (0.394)	300.0 (11.8)	NA25	NU100
NA25/180-040	83.9 (3.303)	108.0 (4.252)	84.0 (3.307)	TR75x2	68.0 (2.677)	10.0 (0.394)	400.0 (15.7)	NA25	NU100

* Note: Non-standard thread, special to fit NovAseptic Actuators

Nominal Dimensions in mm (in.)

Catalogue Number	A	B	C	D*	E	F	G	Compatible Valve Body	
								NA#	NU#
NA38/180-020	83.5 (3.287)	107.0 (4.213)	95.0 (3.740)	TR85x2	68.0 (2.677)	10.0 (0.394)	200.0 (7.87)	NA38	NU150
NA38/180-030	83.5 (3.287)	107.0 (4.213)	95.0 (3.740)	TR85x2	68.0 (2.677)	10.0 (0.394)	300.0 (11.8)	NA38	NU150
NA38/180-040	83.5 (3.287)	107.0 (4.213)	95.0 (3.740)	TR85x2	68.0 (2.677)	10.0 (0.394)	400.0 (15.7)	NA38	NU150
NA38/180-050	83.5 (3.287)	107.0 (4.213)	95.0 (3.740)	TR85x2	68.0 (2.677)	10.0 (0.394)	500.0 (19.7)	NA38	NU150
NA51/180-020	70.0 (2.756)	90.0 (3.543)	119.5 (4.705)	TR109x2	85.0 (3.346)	15.0 (0.591)	200.0 (7.87)	NA51	NU200
NA51/180-030	70.0 (2.756)	90.0 (3.543)	119.5 (4.705)	TR109x2	85.0 (3.346)	15.0 (0.591)	300.0 (11.8)	NA51	NU200
NA51/180-040	70.0 (2.756)	90.0 (3.543)	119.5 (4.705)	TR109x2	85.0 (3.346)	15.0 (0.591)	400.0 (15.7)	NA51	NU200
NA51/180-050	70.0 (2.756)	90.0 (3.543)	119.5 (4.705)	TR109x2	85.0 (3.346)	15.0 (0.591)	500.0 (19.7)	NA51	NU200
NA51/180-060	70.0 (2.756)	90.0 (3.543)	119.5 (4.705)	TR109x2	85.0 (3.346)	15.0 (0.591)	600.0 (23.6)	NA51	NU200

* Note: Non-standard thread, special to fit NovAseptic Actuators

Specifications

Net Weight (approximate)

Actuator	NA25/180-#	NA38/180-#	NA51/180-#
Weight kg (lb)	0.4 (0.88)	0.8 (1.8)	1.4 (3.09)

Material

	Cover Stainless Steel in Compliance with		Indicator Stainless Steel in Compliance with	Handle Stainless Steel in Compliance with
Material Code	EN 1.4305	ASTM® 303	SS 2346	POM C

Additional Information

Surface Roughness	External surface Ra ≤ 1.6µm (63µin)
Environment Temperature*	0 to 70 °C (32 to 158 °F)
Design Pressure*	-1 to 10 bar(g) (-14.5 to 145 psi(g))
Labeling	Each Actuator is labeled for full LOT traceability according to Millipore QA routines.
Packaging	The Actuator is packaged in a closed box.
Quality Control	Millipore Quality Assurance System guarantees the control and traceability of the product.
Options	For non-standard NovAseptic Actuator Options, please contact Millipore for further information.

*Note: The applied valve body and diaphragm may have different design temperature and/or pressure limits. The weakest component in the assembled product determines the maximum design temperature and pressure limits.



www.millipore.com/offices

Millipore and NovAseptic are registered trademarks of Millipore Corporation.
 The M mark and Advancing Life Science Together are trademarks of Millipore Corporation.
 ASTM is a registered trademark of the American Society for Testing and Materials.
 Specifications subject to change without notice.
 Lit. No. SP1120EN00 Rev. B 05/2008.
 © 2008 Millipore Corporation. All rights reserved.

ADVANCING LIFE SCIENCE TOGETHER™
 Research. Development. Production.