

SBV Ball Valves plastomer-lined, ceramic ball



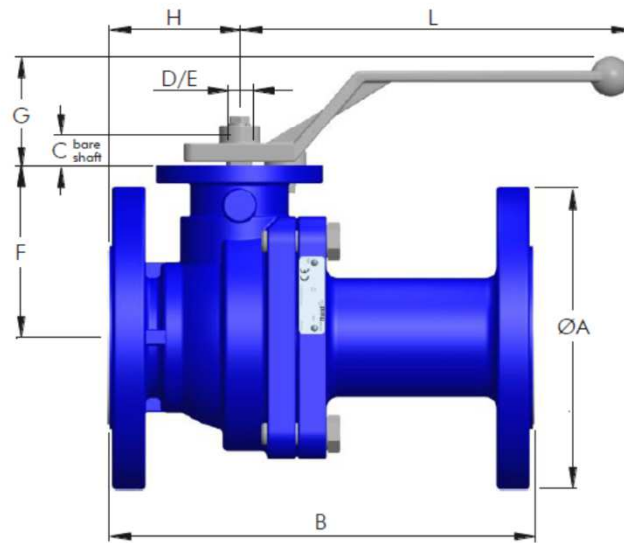
DN15 – DN80 / 1/2" - 3" full port, ceramic ball

Operating Conditions

- Temperature range from -40°C (-40°F) up to +150°C (+300°F), depending on lining material
- Pressure range from 1mbar (0.01 psi) up to 16 bar (232 psi), depending on size/pressure/temperature

Manual Valve

Standard version with handlever

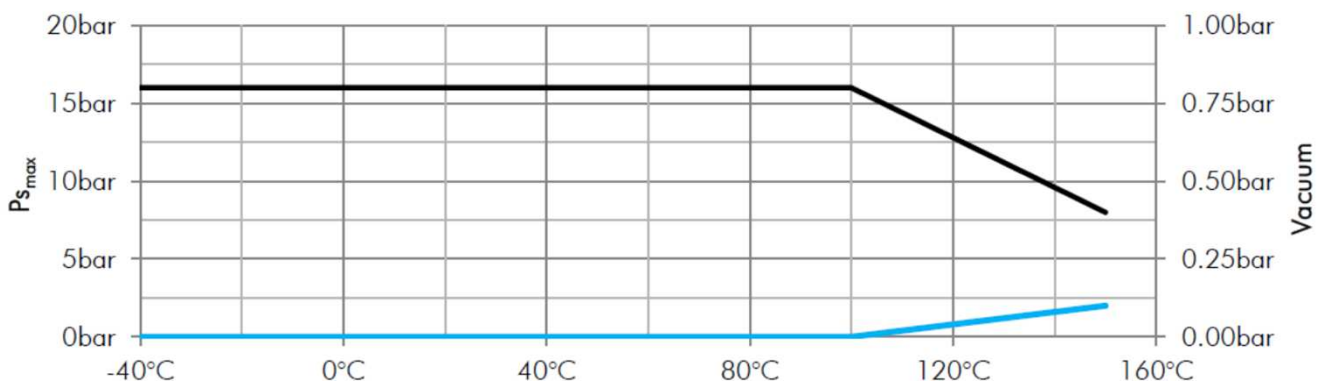


Dimensions in mm (lbs = kg x 2.2)

DN Size nom.	ØA DIN	ØA ANSI	B DIN	B ANSI	C	D dia.	E DD	F	G	H	L	ISO	kg DIN	kg ANSI	kg Handle
15/1/2"	95	95	130	130	19	14	11	64	58	50	161	F05	3.6	3.6	0.32
20/3/4"	105	105	150	150	19	14	11	66	58	50	161	F05	4.5	4.5	0.32
25/1"	115	108	160	127	19	14	11	70	58	50	161	F05	5.3	4.9	0.32
40/1 1/2"	150	127	200	165	19	14	11	87	58	64	211	F07	9.7	8.6	0.36
50/2"	165	152	230	178	19	14	11	94	58	71	211	F07	12.2	11.3	0.36
65/2 1/2"	185	178	290	190	23	18	14	106	58	77	251	F07	16.8	15.0	0.41
80/3"	200	190	310	203	23	18	14	115	62	81	251	F07	20.3	18.6	0.41

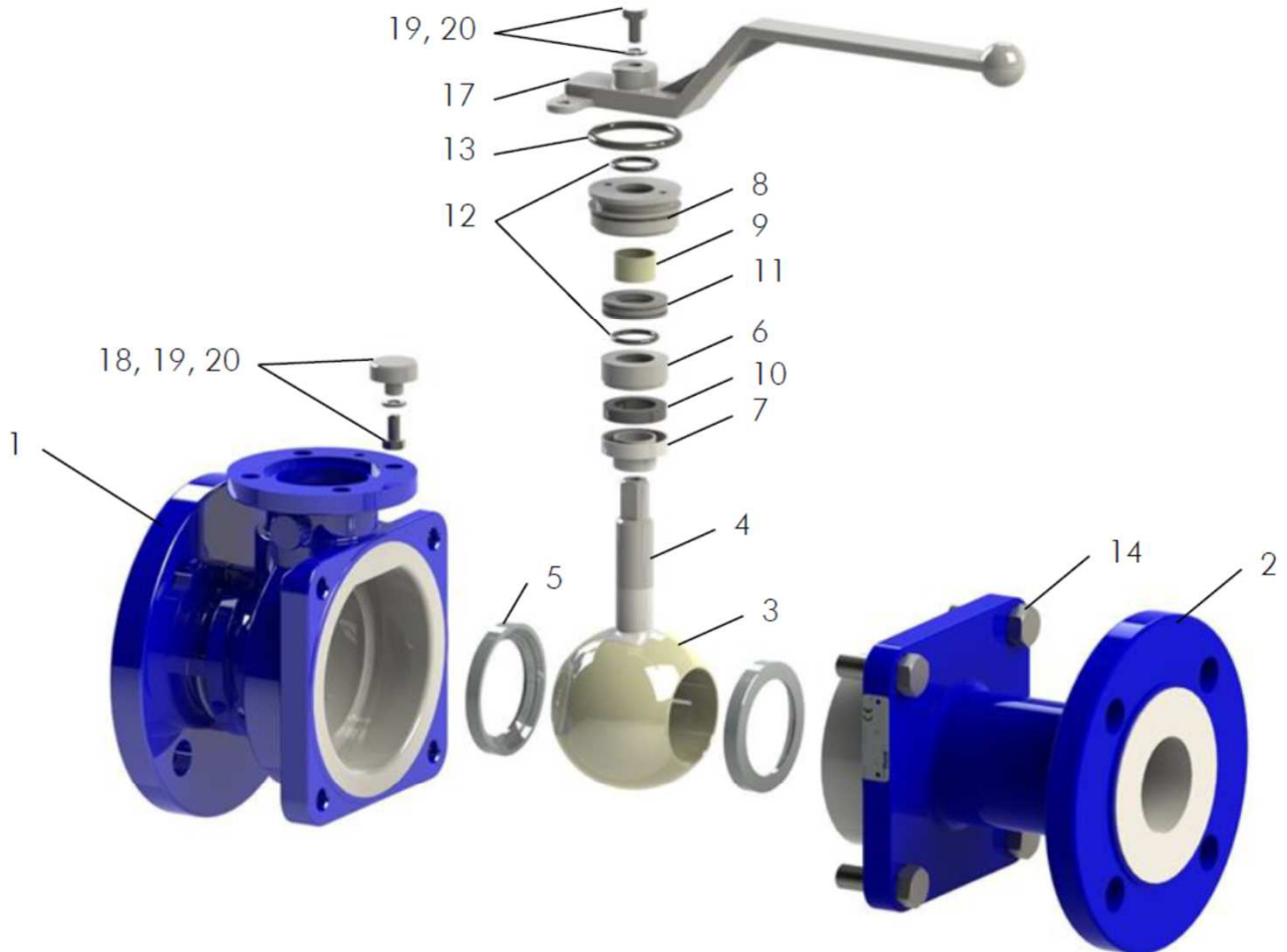
Face to face B acc. to DIN EN 558-1 range 1 resp. ASME B16.10, *DN125/150/200 red. with DIN lengths = ANSI valves with spool piece(s)
DN125 red./5" red. and 6" red. with eff. throughput dia. 100 mm, DN200/8" red. with eff. throughput dia. 150 mm

Pressure-/Temperature Diagram



Standard Version (Picture showing Valve DN50 PN16 WCB, PFA-lined, ceramic ball, ETFE-encaps. shaft, with handlever)

Parts List
Manual Valve compl.



Item	Qty.	Description	Material Description	Material No. DIN 17440/41
1	1	Body Half Left, lined, RAL 5005	WCB/PFA	1.0619
2	1	Body Half Right, lined, RAL 5005	WCB/PFA	1.0619
3	1	Ball solid	Ceramic	
4	1	Shaft, encapsulated	Duplex/ETFE	1.4462
5	2	Ball Seat	PTFE	
6	1	Pressure Sleeve	SS316L	1.4404
7	1	Sealing Sleeve	PTFE	
8	1	Threaded Bushing	SS316L	1.4404
9	1	Bearing	C.Steel/PTFE	
10	1	Elastomer Insert	VMQ	
11	4	Belleville Spring	Spring Steel	1.8159
12	2	O-Ring	FPM	
13	1	O-Ring	FPM	
14	4	Hex. Head Cap Screw	A2-70	1.431
15	1	Name Plate 42 x 14 CE	A2	1.4301
16	2	Hammer Screw 2.49 x 4.76	A2	1.431
17	1	Handlever	SS304	1.4308
18	1	Stop	SS316L	1.4404
19	2	Hex. Head Cap Screw	A2-70	1.431
20	2	Lock Washer	SS304	1.431