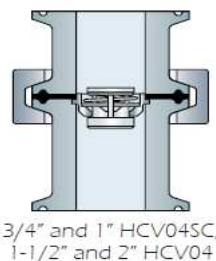
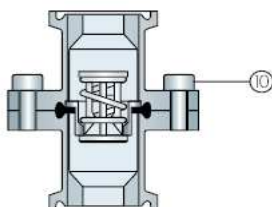
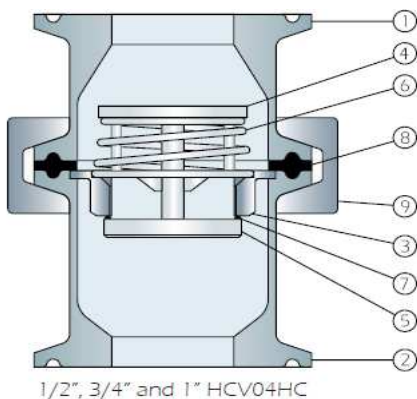


CHECK VALVE HCV04



The HCV04 range is ideally suited to steam, condensate and process fluid applications. Standard valves have metal-metal seating and a choice of 8 or 35 mbar opening pressure. A range of soft seat options are also available. Wetted surfaces on all valves are finished to 0.5 microns Ra.

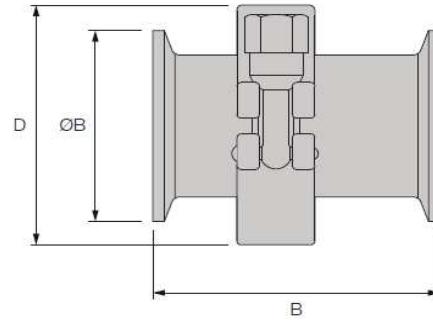
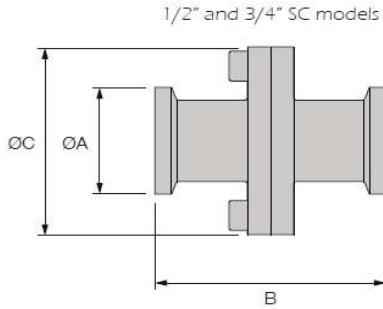
1/2" to 1" valves are available in either standard high capacity configuration. The HCV04 is also suitable for use as an anti-vacuum valve or pressure relief valve device.



- P Pressure Rating**
Up to 10 barg
- T Temperature Rating**
Up to - 200°C with metal-metal seating
200°C with Viton, Silicone or Perlast seat seal
150°C with EPDM seat seal
- Connections**
To suit - 1/2" - 2" ASME BPE clamp fittings
DN8 - DN50 DIN and ISO clamp fittings
- Seal Material**
Body seal - PTFE-Viton envelope
Standard valves have metal-metal seating
Optional body and seat seals - EPDM, Viton, Silicone or Perlast
- Opening Pressure**
8 or 35 mbar
- Surface Finish**
Wetted inlet surfaces - 0.5 microns Ra
Wetted outlet surfaces - 0.8 microns Ra
- Options**
2-1/2" - 4" sizes
DIN and ISO clamp and weld end connections
Weld end connections
Electropolishing
- Available Certification**
 - CofC** Certificate of Conformity
 - MTR's** Material Certification
 - FDA** FDA Elastomer compliance certificates
 - USP** USP Elastomer compliance certificates
 - ADI** Certified 'Animal Derived Ingredient' free

Part	Description	
1	Inlet body	316L stainless steel
2	Outlet body	316L stainless steel
3	Cartridge valve body	316L stainless steel
4	Cartridge valve piston	316L stainless steel
5	Cartridge valve head	316L Stainless steel
6	Cartridge valve spring	316 stainless steel
7	Optional seat seal	EPDM, Viton, Silicone or Perlast
8	Body seal	PTFE-Viton envelope
9	Body clamp	304 stainless steel
10	Body screw	Stainless steel

HCV04



	Size	Dimensions (mm)				Kv(m ³ /h)	Weight (kg)
	ASME BPE	ØA	B	ØC	D		
	1/2" SC	25	50	44	-	2	0.15
	1/2" HC	25	80	-	60	4	0.5
	3/4" SC	25	50	44	-	2	0.15
	3/4" HC	25	80	-	60	4	0.5
	1" SC	50.5	70	-	60	4	0.5
	1" HC	50.5	70	-	60	8	0.5
	1-1/2"	50.5	80	-	60	8	0.65
	2"	64	80	-	78	18	0.75

Note - for DIN and ISO dimensions see sheet 4

	Flow	Effect on opening pressure due to valve orientation (mbar)				
		1/2"	3/4"	1"	1-1/2"	2"
8 mbar spring 35 mbar spring	↔	0	0	0	0	0
	↑	+4	+4	+4	+4	+4
	↓	-4	-4	*	*	*
	↑	+4	+4	+4	+4	+4
	↓	-4	-4	-4	-4	-4

*Valves not suitable for orientation with with flow downward when fitted with 8 mbar spring